

Bulk Piezoceramic Components

Bulk Piezoceramic Focusing Bowls

Features

- High acoustic power generation
- 10MHz operating frequency
- High machining accuracy for precise focusing
- Printed silver electrodes

Applications

- High-intensity focused ultrasound (HIFU)
- Skin rejuvenation
- Ultrasonic surgery
- Cancer treatment



Description

CTS piezoceramic focusing bowls are ideal for generating high acoustic pressure on a localized area. The bowls are manufactured in PZT materials, specially formulated to maximize acoustic output, and designed with high dimensional accuracy to provide precise focusing.

Standard Product, Add-Ons or Custom Solutions

Most of CTS' products are custom designed for specific applications with unique requirements. Our capabilities for bulk piezoceramic focusing bowls include:

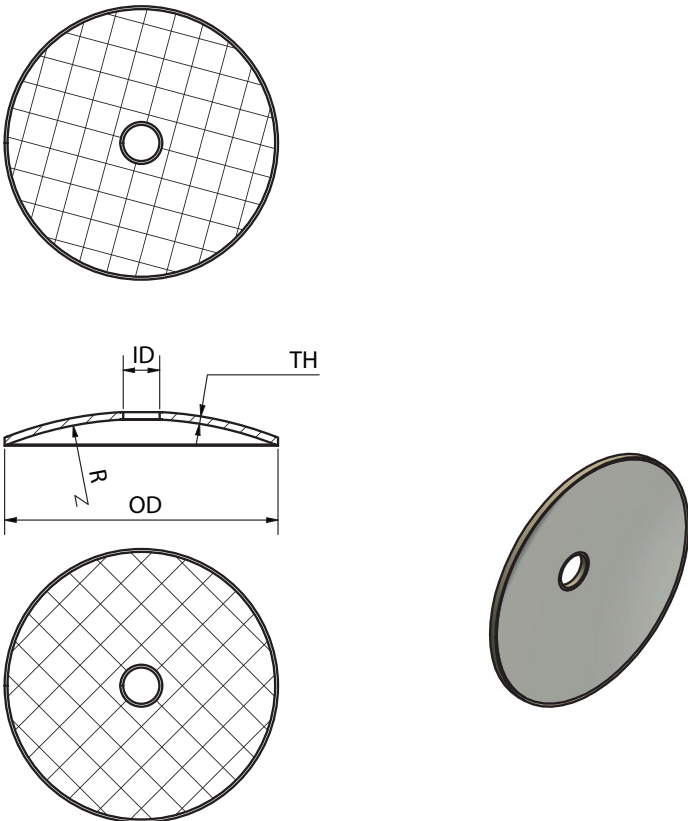
- Diameter up to 65mm
- Frequency up to 10MHz
- Wide range of electrode materials and configurations.

Technical Specifications

Product Number		F5260195
Product Reference		Bowl-PZ26-OD19-ID4-R15-F10
Property	Units	
Outer Diameter (OD)	mm	19 +/-0.15
Inner Diameter (ID)	mm	4 +/-0.6
Typical Thickness (Th)	mm	0.22
Radius of Curvature (R)	mm	15 +/-0.15
Positive Electrode Side	-	Concave
Free Capacitance (C_p)	nF	15.4 +/-15%
Thickness Resonant Frequency (f_r)	MHz	10 +/-8%
Electrical Impedance (Z_r) at Resonance	Ω	<45
PZT Material	-	Pz26
Electrode Material	-	Printed Silver

For material data, please visit www.ctscorp.com/Piezoelectric-Material-Properties

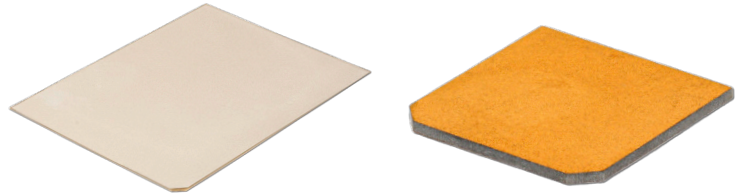
Technical Drawings



Product Family

Bulk Piezoceramic Components

- Plates
- Shear Plates



-
- Rings
 - Discs
 - Tubes



-
- Bowls
 - Hemispheres



-
- Composites

