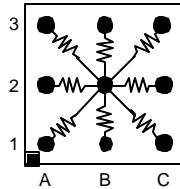


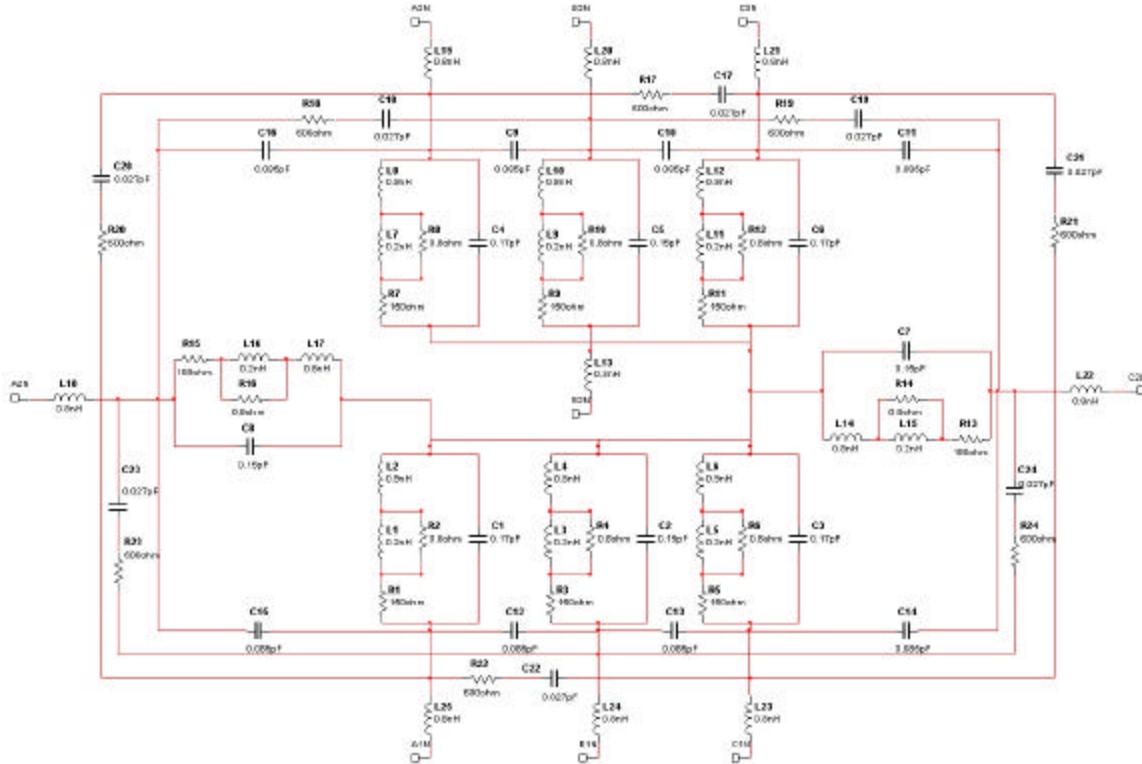
THIS INFORMATION IS NOT AN OFFER FOR SALE. CTS MAKES NO WARRANTY, INCLUDING WARRANTIES OF MERCHANTABILITY OR FITNESS FOR A PARTICULAR PURPOSE, WITH RESPECT TO THE REFERENCED PRODUCTS OR THE SPICE MODELS. CTS DOES NOT GUARANTEE THE ACCURACY OF RESULTS ACHIEVED WITH THE SPICE MODELS OR THE ABILITY TO REPLICATE THOSE RESULTS. CTS ASSUMES NO LIABILITY FOR INTELLECTUAL PROPERTY INFRINGEMENT WHICH MAY ARISE FROM USE OF THE SPICE MODELS.

RT1410B6 Schematic Diagram

R = 150 Ohms



Equivalent Circuit Diagram



.SUBCKT RT1410B6 A1N B1N C1N A2N B2N C2N A3N B3N C3N

C1	26	24	1.70E-13
C2	26	21	1.50E-13
C3	26	20	1.70E-13
C4	13	26	1.70E-13
C5	15	26	1.50E-13

C6	18	26	1.70E-13
C7	34	26	1.50E-13
C8	26	22	1.50E-13
C9	15	13	8.50E-14
C10	18	15	8.50E-14
C11	34	18	8.50E-14
C12	21	24	8.50E-14
C13	20	21	8.50E-14
C14	34	20	8.50E-14
C15	24	22	8.50E-14
C16	13	22	8.50E-14
C17	18	14	2.70E-14
C18	15	19	2.70E-14
C19	34	28	2.70E-14
C20	29	13	2.70E-14
C21	30	18	2.70E-14
C22	20	31	2.70E-14
C23	32	22	2.70E-14
C24	33	34	2.70E-14
L1	2	1	2.00E-10
L2	1	26	9.00E-10
L3	4	3	2.00E-10
L4	3	26	8.00E-10
L5	6	5	2.00E-10
L6	5	26	9.00E-10
L7	8	7	2.00E-10
L8	7	13	9.00E-10
L9	10	9	2.00E-10
L10	9	15	8.00E-10
L11	12	11	2.00E-10
L12	11	18	9.00E-10
L13	B2N	26	3.00E-10
L14	26	16	8.00E-10
L15	16	17	2.00E-10
L16	23	25	2.00E-10
L17	25	26	8.00E-10
L18	A2N	22	8.00E-10
L19	13	A3N	8.00E-10
L20	15	B3N	8.00E-10
L21	18	C3N	8.00E-10
L22	34	C2N	8.00E-10
L23	C1N	20	8.00E-10
L24	B1N	21	8.00E-10
L25	A1N	24	8.00E-10
R1	2	24	150
R2	1	2	0.8

R3	4	21	150
R4	3	4	0.8
R5	6	20	150
R6	5	6	0.8
R7	8	26	150
R8	7	8	0.8
R9	10	26	150
R10	9	10	0.8
R11	12	26	150
R12	11	12	0.8
R13	34	17	150
R14	17	16	0.8
R15	23	22	150
R16	25	23	0.8
R17	14	13	600
R18	19	22	600
R19	28	15	600
R20	24	29	600
R21	20	30	600
R22	31	24	600
R23	21	32	600
R24	21	33	600

.ENDS

File: RT1410B6 Revision:a
Date: October 16, 2001
Copyright CTS Corporation 2001