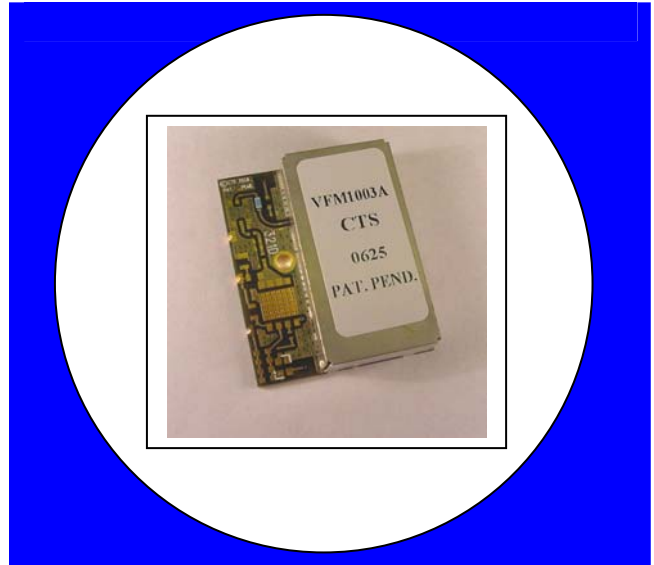


### FEATURES

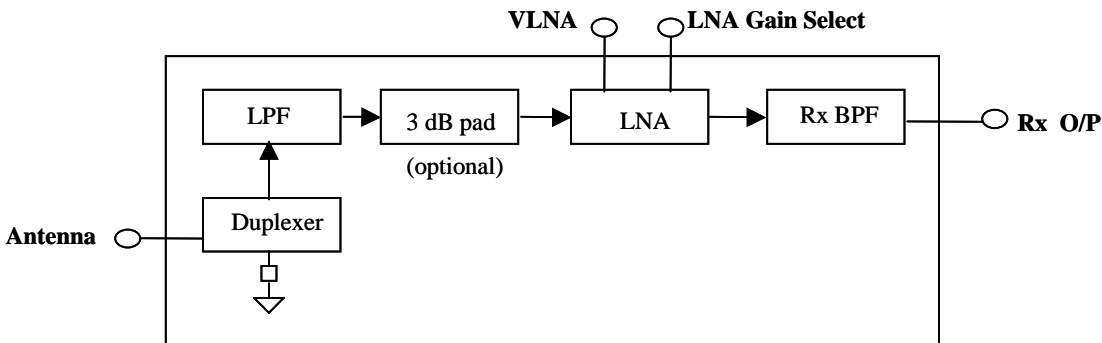
- Rx path only to be used as a second receiver.
- Distributed filters offering excellent isolation and harmonic suppression.
- LNA with Bypass mode to increase receiver linearity.

### DESCRIPTION

The MODEL VFM1003A is a UMTS Node B Local Area Rx module. It is designed to be used with VFM1004A or VFM1019C for dual Rx diversity operation. It replaces the RF components that would be typically used in a Node B local area Rx path. It is RoHS compliant and lead-free. It has a patent pending design.



**Rx module block diagram**



### Typical values:

#### RECEIVE

Frequency range	1920 – 1980 MHz
LNA supply voltage	4V
LNA current	14 mA
Noise figure	4 dB
Gain	13 dB

Attenuation (2.25–12.75 GHz) > 30 dB

Temp. range: -30C to 75C