

## WiBro PICOCELL FRONT END MODULE

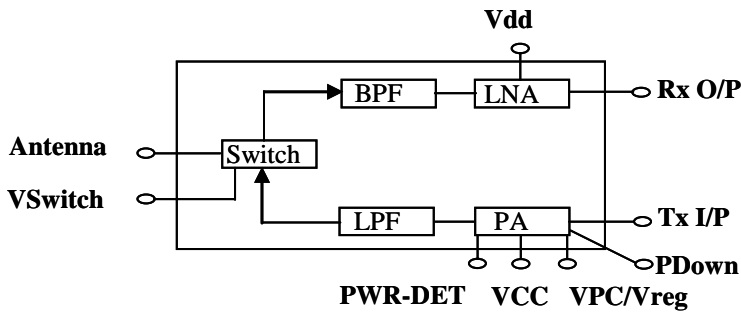
### DESCRIPTION

The MODEL VFM1037A is a 2.3 GHz WiBro picocell front end module (FEM). It is designed to replace all of the RF components that would be typically used in a lower power BTS front end. It is RoHS compliant and lead-free.

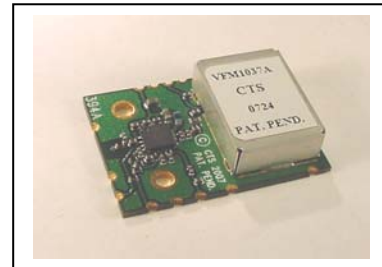
### FEATURES

- PA capable of delivering 23 dBm at the antenna port
- Accepts a -8 dBm input Tx signal
- SMT configuration

### Block Diagram



### Photo



### Typical specifications:

Nominal channel bandwidth: 8.75 MHz  
 Antenna switching speed < .1 usec

#### TRANSMIT

Frequency range	2300 - 2400 MHz
PA supply voltage	5V
PA bias voltage	3.3V
PA current drain	450 mA
Power @ antenna port	23 dBm .
EVM @ 23 dBm	2.5%
Tx gain	26 dB

#### Attenuation

.1 - 2100 MHz	-40 dB
2600 - 5000 MHz	-39 dB

Size: 27.0 x 19.0 x 6.0 mm

Temp range: -30°C - 75°C

#### RECEIVE

Frequency range	2300 - 2400 MHz
LNA supply voltage	3V
LNA current drain	11 mA
Noise figure	3.3 dB
Rx gain	15.5 dB