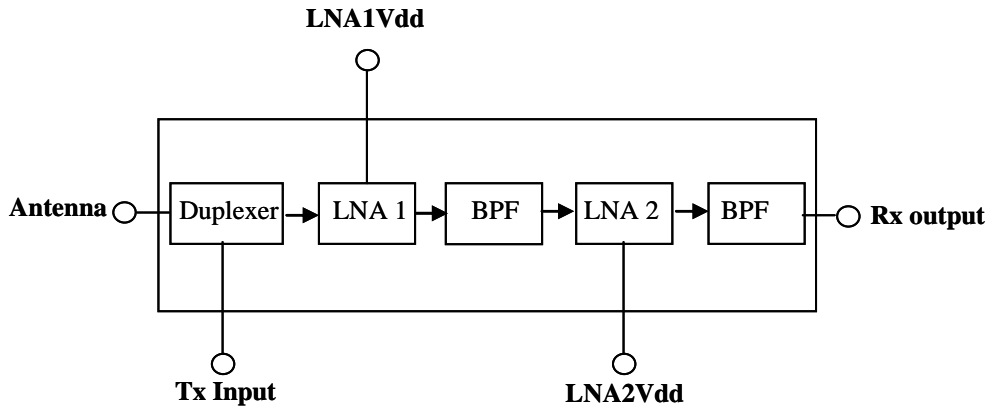


DESCRIPTION

The MODEL VFM1069A is a DCS1800 Rx module. It is ROHS compliant and lead-free.

Block Diagram

Photo



Specifications:

	Typical	Worst case	
Transmit path			
Frequency band	1805 - 1880 MHz		
Tx power into port		6 watts max.	
Tx Insertion loss	3.0 dB	< -3.6 dB	
Tx port return loss	-11 dB	< -10 dB	
Tx antenna return loss	-11 dB	< -10 dB	
Tx to Rx rejection (duplexer) @ 1710 - 1785 MHz	-43 dB	< -40 dB	
Tx to Rx rejection (duplexer) @ 1805 - 1880 MHz	-44 dB	< -40 dB	
Tx power at antenna port		2.5 watts max.	
Receive path			
Frequency range	1710 - 1785 MHz		
Rx noise figure	3.9 dB	< 4.4 dB	
Rx gain (including duplexer) @ 1710 - 1785 MHz	23 - 27 dB		
Rx gain (excluding duplexer) @ 1805 -1880 MHz	-25 dB	< -16 dB	
Rx gain (including duplexer) @ 1568 - 1643 MHz	-83 dB	< -75 dB	
Rx P1dB output @ 1710 - 1785 MHz		> 15 dBm	
Rx IIP3	1 dBm		
LNA #1		LNA #2	
LNA supply voltage	5V	LNA supply voltage	5V
LNA current drain	90 mA	LNA current drain	90 mA
Rx gain	18 dB	Rx gain	18 dB

Temp range: -35 °C - 75°C
 Package size: 53 x 43 x 10.5 mm max.