

VERY PRELIMINARY

WiMax Picocell FRONT END MODULE

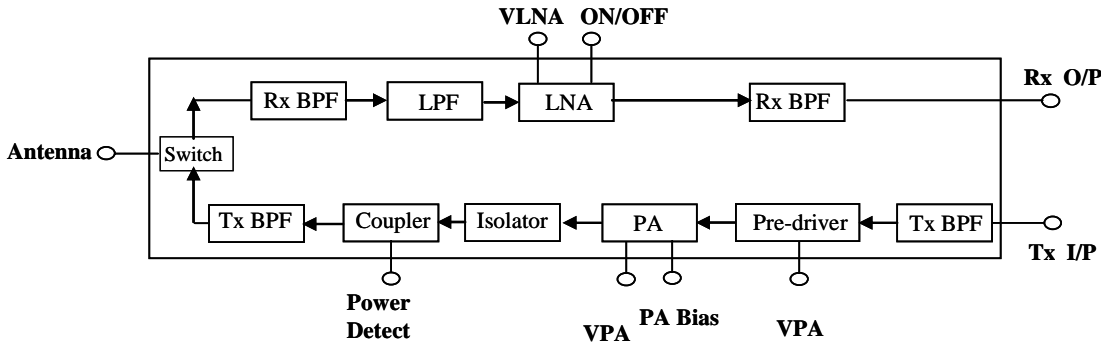
DESCRIPTION

The MODEL VFM1073A is a 3.5 GHz WiMax picocell front end module (FEM). It is designed to replace all of the RF components that would be typically used in a lower power BTS front end. It is RoHS compliant and lead-free.

FEATURES

- PA capable of delivering 30 dBm at the antenna port
- Accepts -3 dBm Tx input

Block Diagram



Typical specifications:

- MMDS spec compatible
- Nominal channel bandwidth: 10 MHz
- Modulation: 64 QAM
- Antenna switching speed < 5 usec
- Antenna isolation > 25 dB

TRANSMIT

Frequency range	3300 - 3800 MHz
PAR	8 dB
EVM @ 30 dBm	2.5%
Power @ antenna port	30 dBm
ACLR	-40 dBc .
Tx gain	33 dB

RECEIVE

Frequency range	3300 - 3800 MHz
LNA supply voltage	4V
LNA current drain	75 mA
Noise figure	3 dB
Rx gain	14 dB

Approximate size: 60 mm x 40 mm x 25 mm