

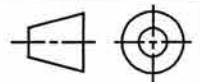
DO NOT SCALE THE DRG.
IF IN DOUBT PLEASE ASK.

NOTE:
No of Lamination:16
General Tolerance:0.2mm

THE COPYRIGHT OF THESE DRAWINGS AND OF ALL ENCLOSURES ENTRUSTED TO THE RECEIPT. PERSONALLY REMAINS THE EXCLUSIVE PROPERTY OF THIS FIRM. WITHOUT OUR WRITTEN CONSENT THEY MAY NOT BE COPIED OR REPRODUCED OR DELIVERED OR MADE KNOWN TO THIRD PARTIES

Contact us at <https://www.ctscorp.com/Contact-Us>

UNITS: MM



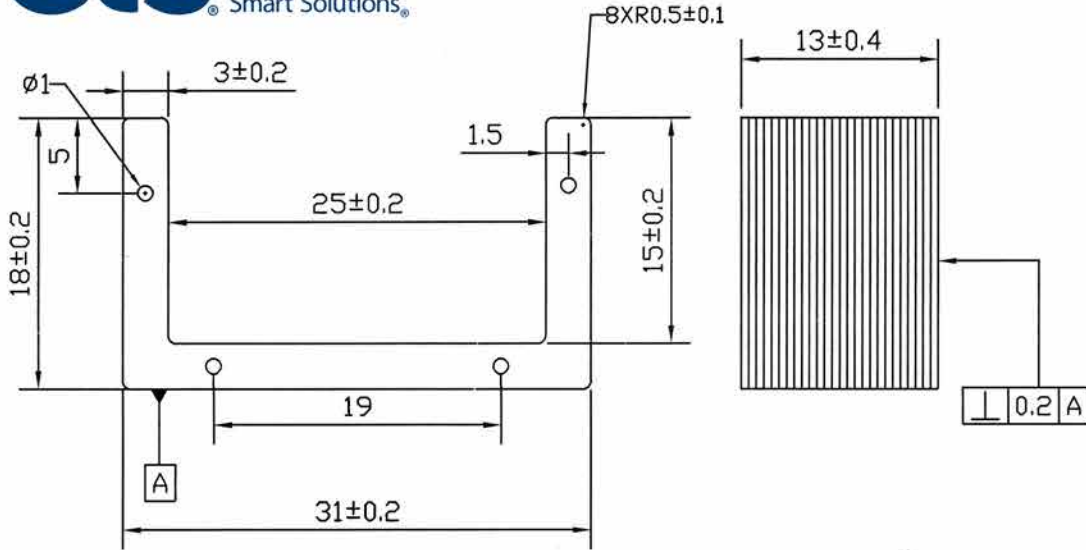
Description: Laminated U Shield

Material: SiFe(48%) X 0.5 mm (NGO)

SCALE NTS	PREPARED	Darshikerey	Darshikerey	22/8/17
	CHECKED	Poel	Poel	22/8/17
	APPROVED	akm	lji	22/8/17

SR.NO	Modifications	NAME	SGN	DATE

Drawing No.
Z-F-SH-002-R0



DO NOT SCALE THE DRG.
IF IN DOUBT PLEASE ASK.

Notes:

1. No. of laminations: 26
2. Parts to be free from burr, scratches & dent.

THE COPYRIGHT OF THESE DRAWINGS AND OF ALL ENCLOSURES ENTRUSTED TO THE RECIPIENT PERSONALLY REMAINS THE EXCLUSIVE PROPERTY OF THIS FIRM WITHOUT OUR WRITTEN CONSENT THEY MAY NOT BE COPIED OR REPRODUCED OR DELIVERED OR MADE KNOWN TO THIRD PARTIES

Contact us at https://www.ctscorp.com/Contact-Us		All Dimensions in mm			
Description: LU25-13-18-3 Laminated shield		SCALE	PREPARED	HVD	<i>HVD</i> 26/10/18
		NTS	CHECKED	PYK	<i>PYK</i> 26/10/18
Material: 48% NiFe -0.5 mm thk		SIZE	APPROVED	HJS	<i>HJS</i> 26/10/18
		A4			
Sr.No.	Modifications	Checked	Approved	Date	Drawing No. Z-C-SH-169-R0