

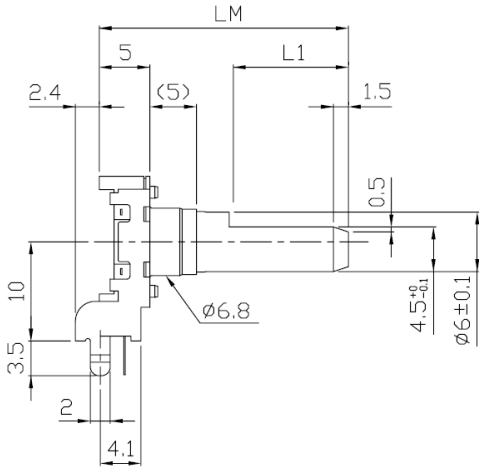




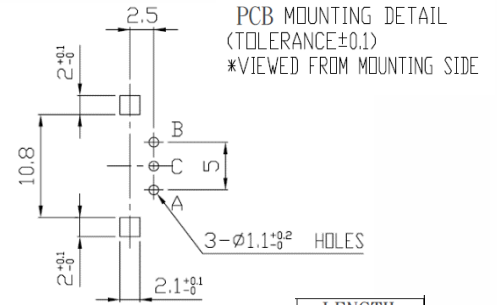
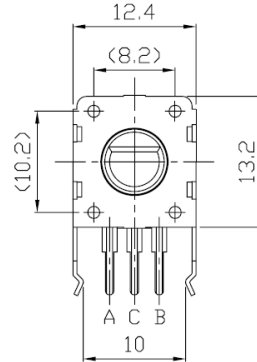


### Mechanical Specifications

#### Series 11CE Horizontal/Side Mount Sleeve Bushing (No Switch)

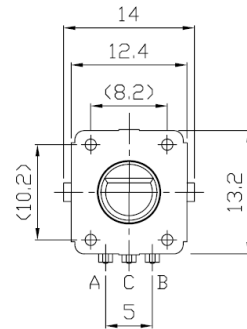
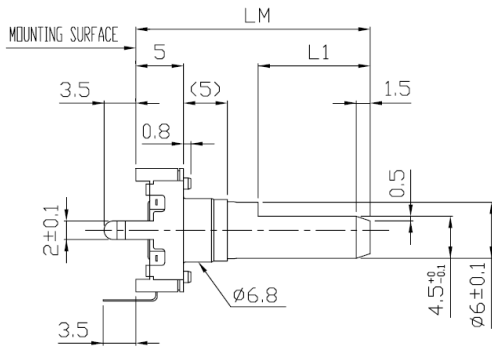


SHAFT FLAT HAS RANDOM ORIENTATION

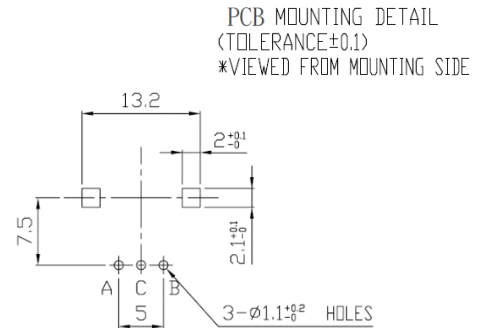


LENGTH	
L1	LM
5	17.5
7	20
12	25
12	30

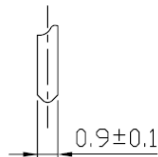
#### Series 11CE Vertical/Rear Mount Sleeve Bushing (No Switch)



SHAFT FLAT HAS RANDOM ORIENTATION



Unit: mm



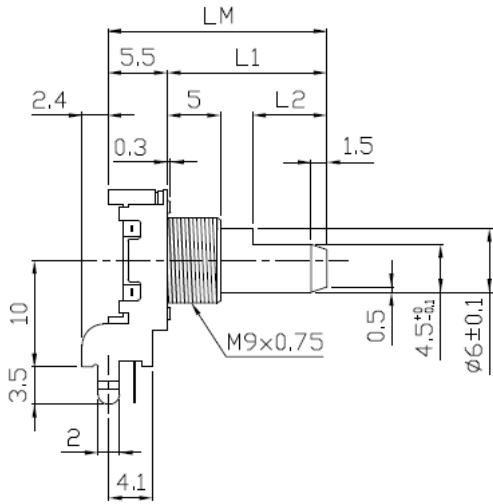
TERMINAL DETAIL

TOLERANCES UNLESS OTHERWISE SPEC	
$L \leq 10$	±0.3
$10 < L \leq 100$	±0.5
$100 < L$	±0.8
ANGULAR DIMENSION	±5°

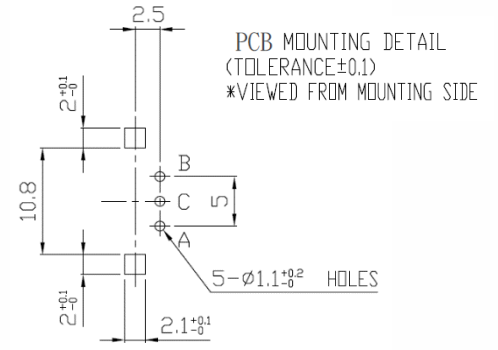
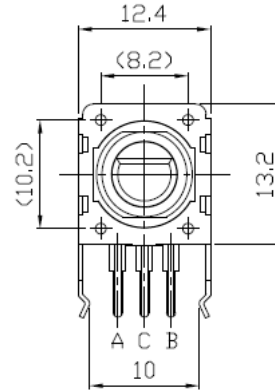
LENGTH	
L1	LM
5	17.5
7	20
12	25
12	30

Mechanical Specifications

Series 11CE Horizontal/Side Mount with Threaded Bushing (No Switch)

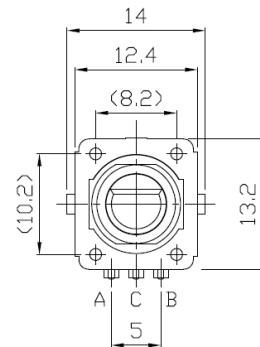
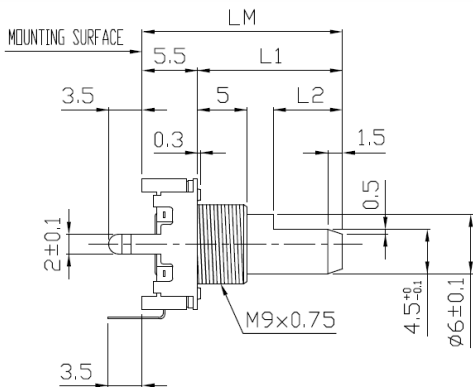


SHAFT FLAT HAS RANDOM ORIENTATION

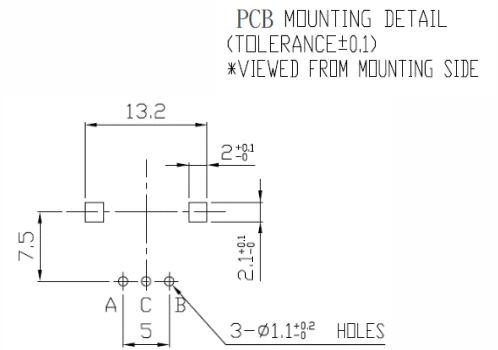


LENGTH		
L2	L1	LM
5	12	17.5
7	14.5	20
12	19.5	25
12	24.5	30

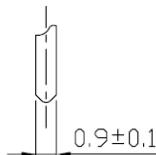
Series 11CE Vertical/Rear Mount with Threaded Bushing (No Switch)



SHAFT FLAT HAS RANDOM ORIENTATION



Unit: mm



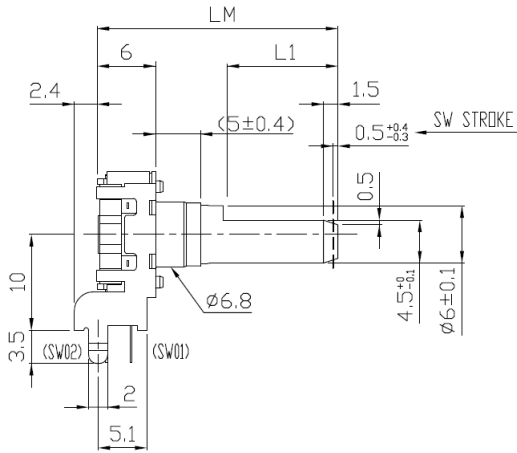
TERMINAL DETAIL

TOLERANCES UNLESS OTHERWISE SPEC	
$L \leq 10$	$\pm 0.3$
$10 < L \leq 100$	$\pm 0.5$
$100 < L$	$\pm 0.8$
ANGULAR DIMENSION	$\pm 5^\circ$

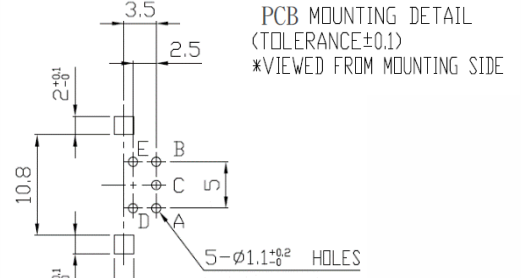
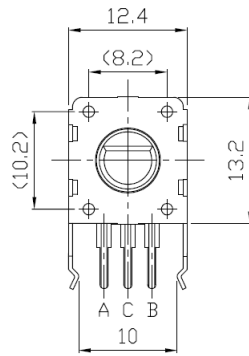
LENGTH		
L2	L1	LM
5	12	17.5
7	14.5	20
12	19.5	25
12	24.5	30

### Mechanical Specifications

#### Series 11CE Horizontal/Side Mount Sleeve Bushing (With Switch)



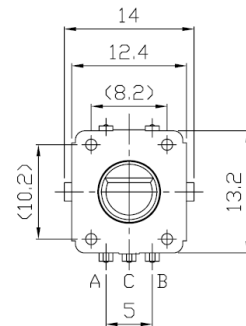
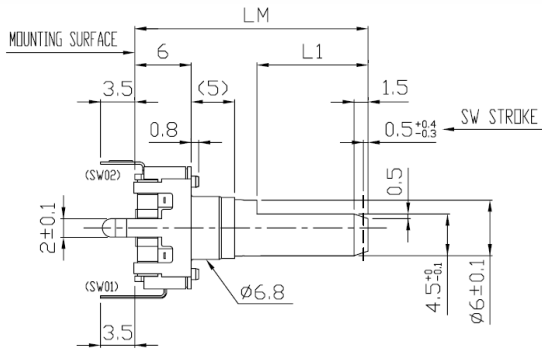
SHAFT FLAT HAS RANDOM ORIENTATION



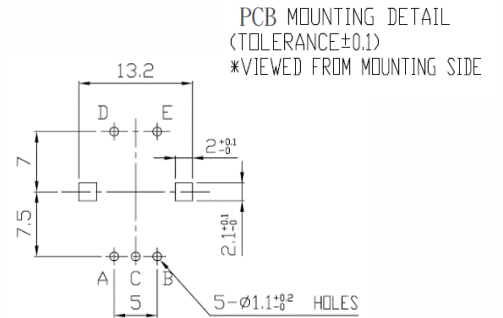
PCB MOUNTING DETAIL  
(TOLERANCE±0.1)  
\*VIEWED FROM MOUNTING SIDE

LENGTH	
L1	LM
5	17.5
7	20
12	25
12	30

#### Series 11CE Vertical/Rear Mount Sleeve Bushing (With Switch)

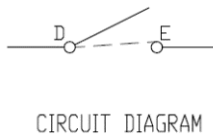
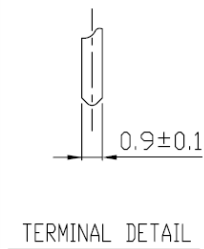


SHAFT FLAT HAS RANDOM ORIENTATION



PCB MOUNTING DETAIL  
(TOLERANCE±0.1)  
\*VIEWED FROM MOUNTING SIDE

Unit: mm

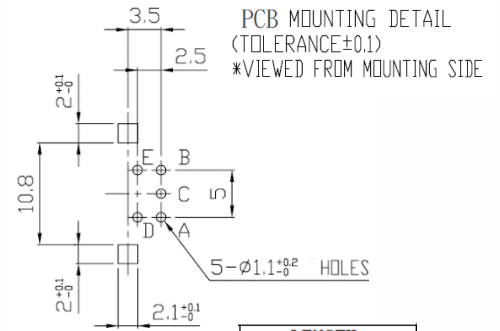
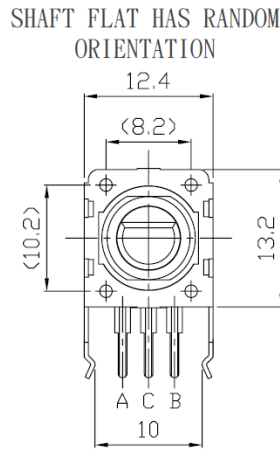
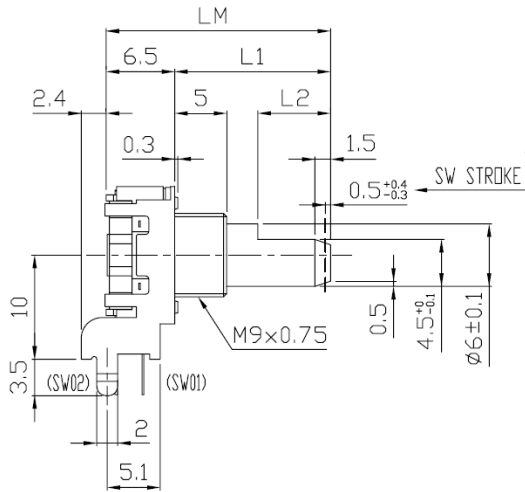


TOLERANCES UNLESS OTHERWISE SPEC	
L ≤ 10	±0.3
10 < L ≤ 100	±0.5
100 < L	±0.8
ANGULAR DIMENSION	±5°

LENGTH	
L1	LM
5	17.5
7	20
12	25
12	30

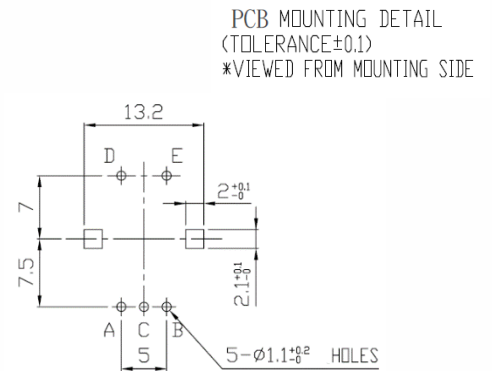
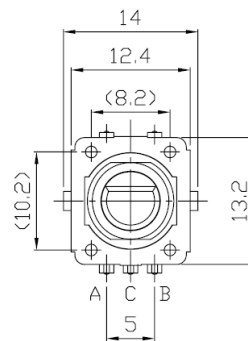
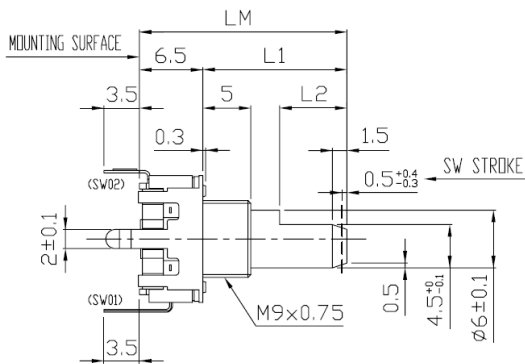
### Mechanical Specifications

#### Series 11CE Horizontal/Side Mount with Threaded Bushing (With Switch)

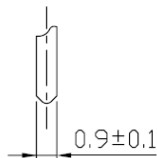


LENGTH		
L2	L1	LM
5	12	17.5
7	14.5	20
12	19.5	25
12	24.5	30

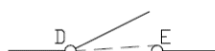
#### Series 11CE Vertical/Rear Mount with Threaded Bushing (With Switch)



Unit: mm



TERMINAL DETAIL



CIRCUIT DIAGRAM

TOLERANCES UNLESS OTHERWISE SPEC	
L ≤ 10	±0.3
10 < L ≤ 100	±0.5
100 < L	±0.8
ANGULAR DIMENSION	±5°

LENGTH		
L2	L1	LM
5	12	17.5
7	14.5	20
12	19.5	25
12	24.5	30