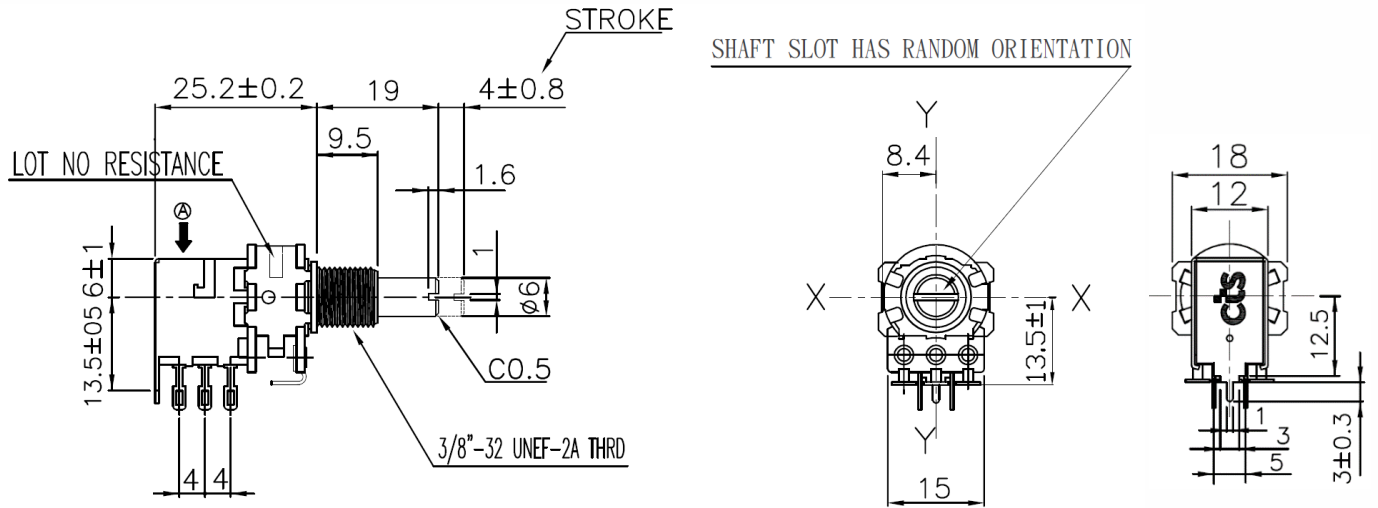
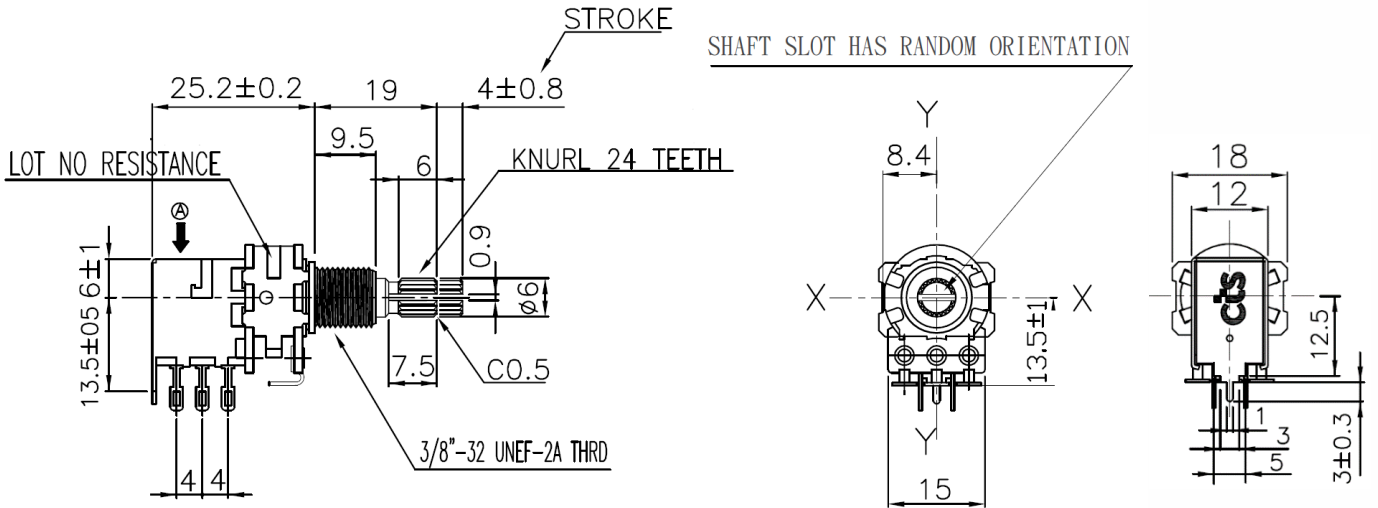
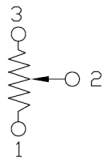


Mechanical Specifications

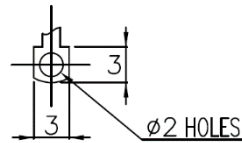
Series 18VRG Guitar Potentiometer w/Push-Pull Switch (Short Bushing)



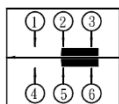
CIRCUIT DIAGRAM



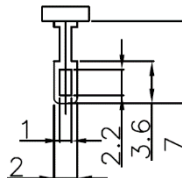
VR TERMINAL DETAIL (2/1)



SWITCH CIRCUIT (EXTENDED POSITION)



SW TERMINAL DETAIL (2/1)

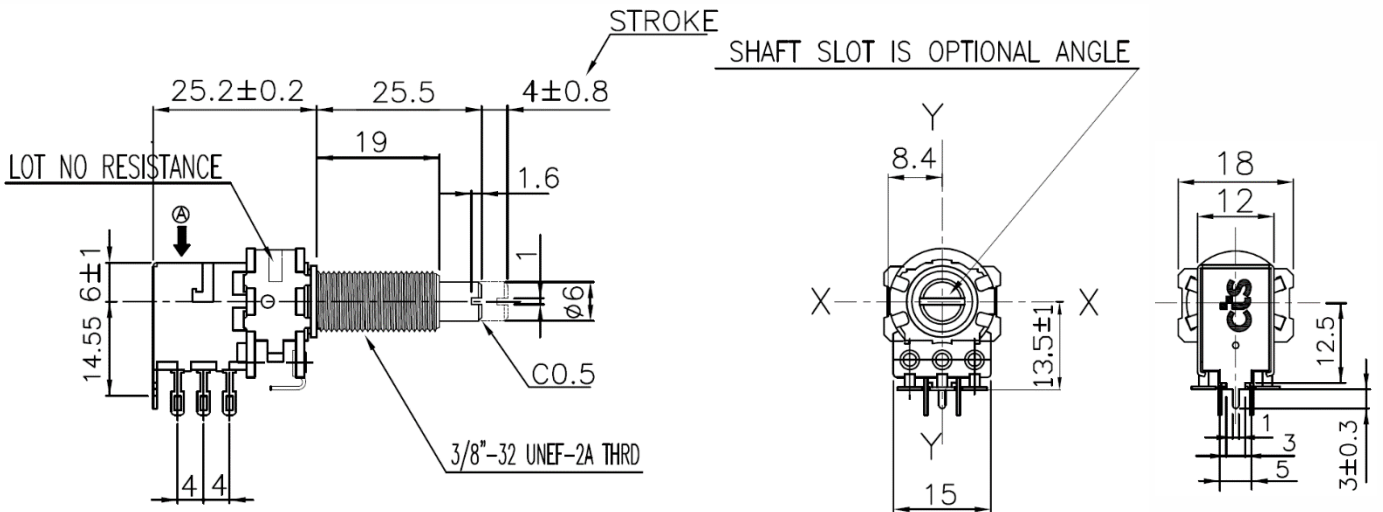
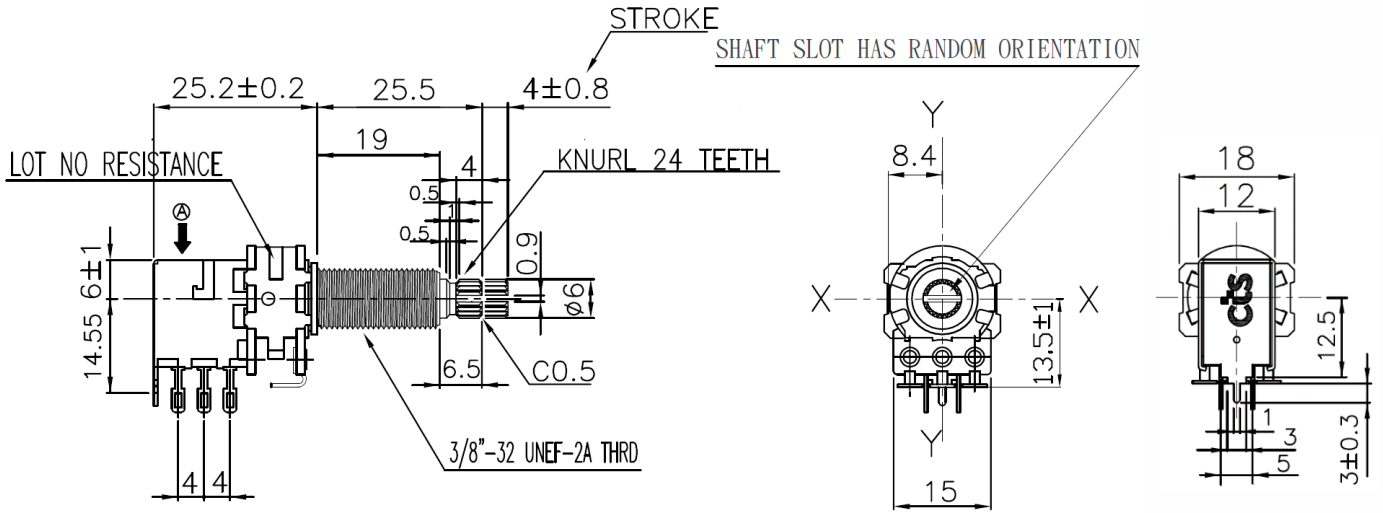


TOLERANCES UNLESS OTHERWISE SPEC	
L ≤ 10	±0.3
10 < L ≤ 100	±0.5
100 < L	±0.8
ANGULAR DIMENSION	±5°

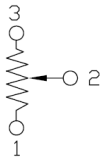
Unit: mm

Mechanical Specifications

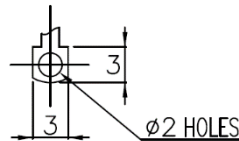
Series 18VRG Guitar Potentiometer w/Push-Pull Switch (Long Bushing)



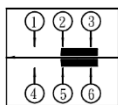
CIRCUIT DIAGRAM



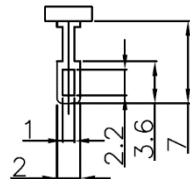
VR TERMINAL DETAIL (2/1)



SWITCH CIRCUIT (EXTENDED POSITION)



SW TERMINAL DETAIL (2/1)



TOLERANCES UNLESS OTHERWISE SPEC	
$L \leq 10$	± 0.3
$10 < L \leq 100$	± 0.5
$100 < L$	± 0.8
ANGULAR DIMENSION	$\pm 5^\circ$

Unit: mm

Electrical Specification
Series 18VRG Taper Graphs

