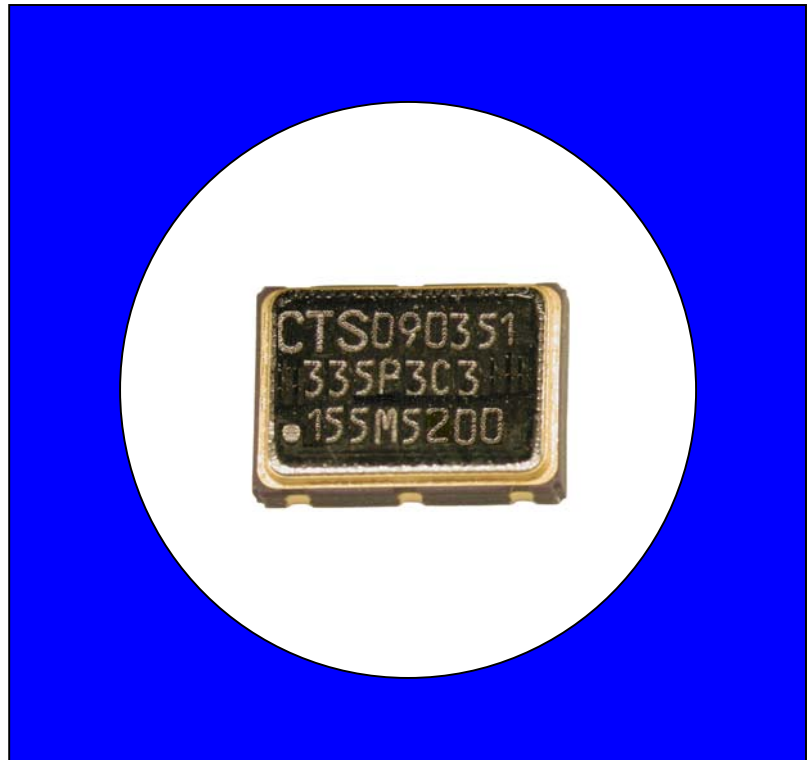


### FEATURES

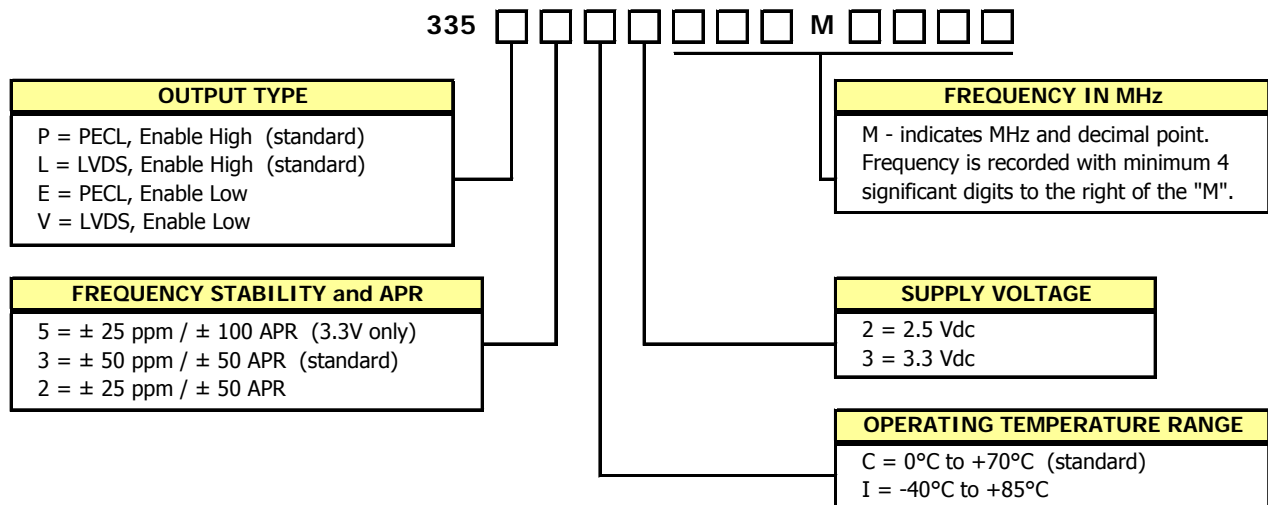
- Standard 7x5mm Surface Mount Footprint
- Differential LVPECL or LVDS Outputs
- Frequency Range 19.44 – 212.50 MHz
- Frequency Stability,  $\pm 50$  ppm Standard ( $\pm 25$  ppm available)
- +2.5Vdc or +3.3Vdc Operation
- Operating Temperature to  $-40^{\circ}\text{C}$  to  $+85^{\circ}\text{C}$
- Output Enable Standard
- Low Phase Jitter, *NON-Multiplied*
- Tape & Reel Packaging
- **RoHS/Green Compliant**

### DESCRIPTION

The Model 335 is a ceramic packaged Voltage Controlled oscillator offering reduced size and enhanced stability. The small size means it is perfect for any application. The enhanced stability means it is the perfect choice for today's communications applications that require tight frequency control.



### ORDERING INFORMATION



Example Part Number: 335P3C3155M5200

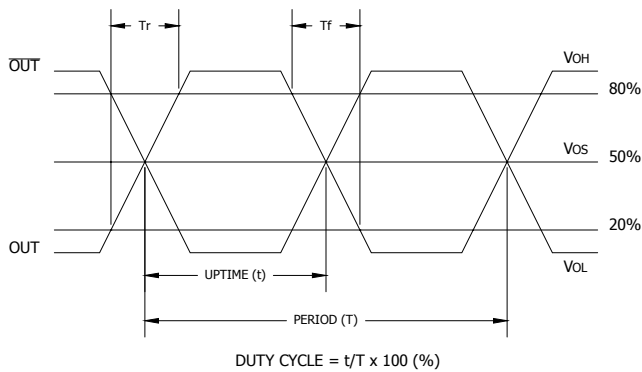
## ELECTRICAL CHARACTERISTICS

	PARAMETER	SYMBOL	CONDITIONS	MIN	TYP	MAX	UNIT	
Absolute Maximums	Maximum Supply Voltage	$V_{CC}$	-	-0.5	-	5.0	V	
	Storage Temperature	$T_{STG}$	-	-55	-	125	°C	
	Frequency Range LVPECL and LVDS	$f_0$	-	19.44	-	212.50	MHz	
	Frequency Stability (See Note 1 and Ordering Information)	$\Delta f/f_0$	-	-	-	25, 50	± ppm	
	Absolute Pull Range (See Note 2 and Ordering Information)	APR	-	50, 100	-	-	± ppm	
	Operating Temperature Commercial Industrial	$T_A$	-	-20 -40	25	70 85	°C	
	Electrical and Waveform Parameters	Supply Voltage	$V_{CC}$	± 5 %	2.38 3.14	2.5 3.3	2.63 3.47	V
Supply Current LVPECL LVDS		$I_{CC}$	Maximum Load	- -	50 25	75 40	mA	
Control Voltage		$V_C$	$V_{CC} = 3.3V$	0.0	1.65	3.3	V	
Frequency Deviation		$\Delta f$	25°C at Time of Shipment	-	130	-	± ppm	
Linearity		L	Best Straight Line Fit	-15	10	15	%	
Input Impedance		$Z_C$	-	50	-	-	kOhms	
Transfer Function		-	-	-	Positive	-	-	
Start Up Time		$T_S$	Application of $V_{CC}$	-	5	10	ms	
Modulation Roll-off		-	@ -3dB	25	-	-	kHz	
Phase Jitter		$t_{jms}$	Bandwidth 12 kHz - 20 MHz	-	-	1	ps RMS	
Enable Function High Enable Input Voltage Disable Input Voltage		$V_{IH}$ $V_{IL}$	Pin 2 Logic '1', Output Enabled Pin 2 Logic '0', Output Disabled	0.7* $V_{CC}$ -	- -	- 0.3* $V_{CC}$	V	
Enable Function Low Enable Input Voltage Disable Input Voltage		$V_{IH}$ $V_{IL}$	Pin 2 Logic '0', Output Enabled Pin 2 Logic '1', Output Disabled	0.3* $V_{CC}$	-	0.7* $V_{CC}$	V	
Disable Current		$I_{IL}$	Pin 1 or Pin 2 Logic '1', Output Disabled	-	-	20	µA	
Enable Time		$T_{PLZ}$	Pin 2 Logic '1' or Logic '0'	-	-	10	ms	
<b>LVPECL WAVEFORM</b>								
Output Load		$R_L$	-	-	50	-	Ohms	
Output Duty Cycle		SYM	@ $V_{CC} - 1.3V$	45	-	55	%	
Output Voltage Levels Logic '1' Level Logic '0' Level		$V_{OH}$ $V_{OL}$	PECL Load PECL Load	$V_{CC} - 1.025V$ -	- -	- $V_{CC} - 1.62V$	V	
Rise and Fall Time		$T_R, T_F$	@ 20% - 80% Levels	-	0.4	1.0	ns	
<b>LVDS WAVEFORM</b>								
Output Load		$R_L$	-	-	100	-	Ohms	
Output Duty Cycle		SYM	@ 1.25V	45	-	55	%	
Differential Voltage		$V_{OD}$	RL = 100 Ohms	250	350	450	mV	
Output Voltage Levels Logic '1' Level Logic '0' Level		$V_{OH}$ $V_{OL}$	LVDS Load LVDS Load	- 0.9	- -	1.6 -	V	
Rise and Fall Time		$T_R, T_F$	@ 20% - 80% Levels	-	0.4	1.0	ns	

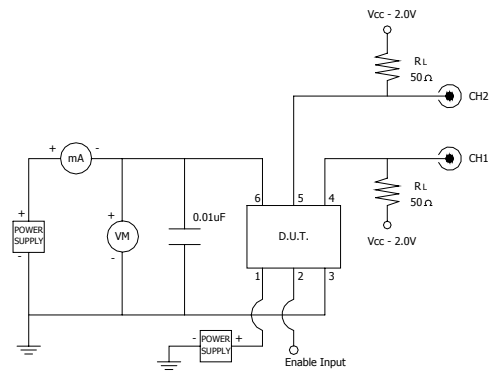
Notes:

- Inclusive of initial tolerance at time of shipment, changes in supply voltage, load, temperature and 10 year aging at an average operating temperature of +40 °C.
- Minimum guaranteed frequency shift from  $f_0$  over variations in temperature, aging, power supply and load at an average operating temperature of +40°C for 10 years.

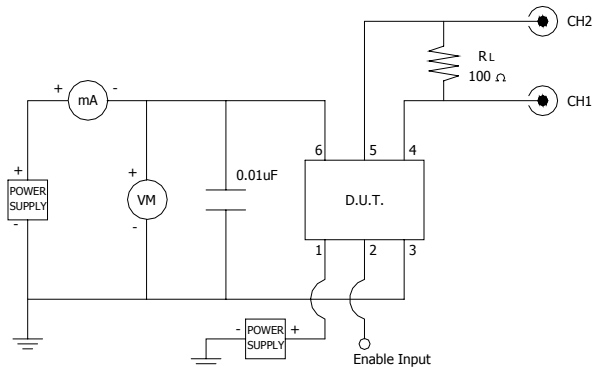
**PECL/LVDS OUTPUT WAVEFORM**



**TEST CIRCUIT, PECL LOAD**



**TEST CIRCUIT, LVDS LOAD**



**D.U.T. PIN ASSIGNMENTS**

PIN	SYMBOL	DESCRIPTION
1	V <sub>C</sub>	Control Voltage
2	EOH	Enable
3	GND	Circuit & Package Ground
4	Output	RF Output
5	Output	Complimentary RF Output
6	V <sub>CC</sub>	Supply Voltage

**ENABLE HIGH TRUTH TABLE**

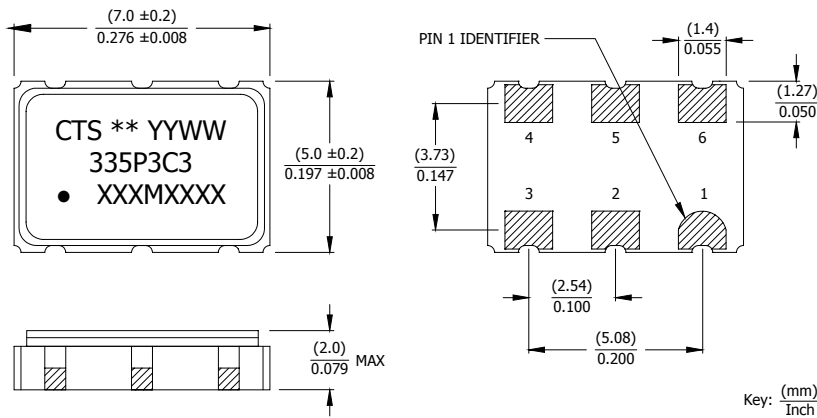
PIN 2	PIN 4 / PIN 5
Logic '1'	Output
Open	Output
Logic '0'	High Imp.

**ENABLE LOW TRUTH TABLE**

PIN 2	PIN 4 / PIN 5
Logic '1'	High Imp.
Open	Output
Logic '0'	Output

**MECHANICAL SPECIFICATIONS**

**PACKAGE DRAWING**



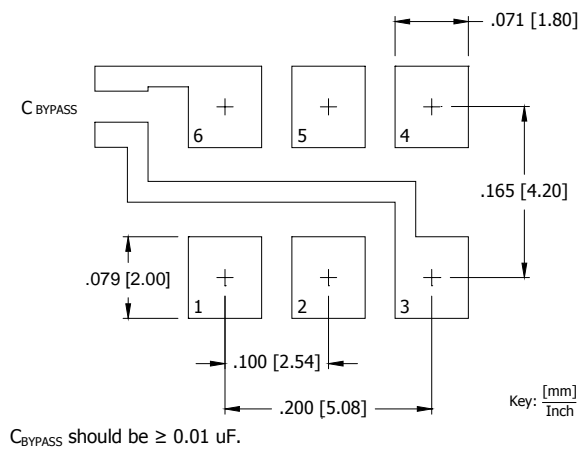
**MARKING INFORMATION**

1. \*\* - Manufacturing Site Code.
2. YYWW – Date code, YY – year, WW – week.
3. Truncated CTS part number.
4. XXXMXXXX - Frequency marked with 4 significant digits after the 'M'.

**Notes**

1. Termination pads (e4), barrier-plating is nickel (Ni) with gold (Au) flash plate.
2. Reflow conditions per JEDEC J-STD-020.

**SUGGESTED SOLDER PAD GEOMETRY**



**SUGGESTED REFLOW PROFILE**

