

Immersion Transducers



CTS' Immersion Transducers are specifically designed to operate in an immersion tank or with bubbler and/or squirter systems. They are manufactured with UHF waterproof connectors and can be designed with flat or focused lenses. All Immersion Transducers are offered in High Resolution (HR), General Purpose (GP), or High Performance (HP).

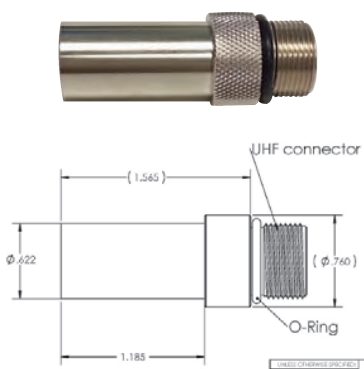
Advantages:

- Immersion Transducers speed up test results with high speed scanning of large surfaces.
- Spherical focusing available for minimizing beam width for improving sensitivity to smaller defects.
- Epoxy quarter wavelength matching layer maximizes sensitivity and resolution.
- Cylindrical focusing available for tube or bar inspection.

Immersion Transducers are available in the following case styles: Standard, Large Diameter, Pencil, and Paintbrush.

Standard Immersion Transducers

Standard Immersion Case Style Transducers (IS) are ideally suited for most immersion testing applications utilizing any element diameter up to 0.50 inches (12.7 mm). IS are offered in frequencies from 500kHz to 25MHz. All transducers feature acoustically matched lenses and corrosion resistant stainless steel housings for optimum performance and rugged use. Three configuration types are available: flat, spherical, and cylindrical.



FREQUENCY (MHz)	DIAMETER INCHES (mm)		
	0.25 (6.35)	0.375 (9.525)	0.5 (12.7)
TYPE GP: GENERAL PURPOSE			
1.00	–	–	IS0104GP
2.25	IS0202GP	IS0203GP	IS0204GP
3.50	IS0302GP	IS0303GP	IS0304GP
5.00	IS0502GP	IS0503GP	IS0504GP
7.50	IS0702GP	IS0703GP	IS0704GP
10.00	IS1002GP	IS1003GP	IS1004GP
15.00	IS1502GP	–	–
20.00	IS2002GP	–	–
25.00	IS2502GP	–	–
TYPE HR: HIGH RESOLUTION			
1.00	–	–	IS0104HR
2.25	IS0202HR	IS0203HR	IS0204HR
3.50	IS0302HR	IS0303HR	IS0304HR
5.00	IS0502HR	IS0503HR	IS0504HR
7.50	IS0702HR	IS0703HR	IS0704HR
10.00	IS1002HR	IS1003HR	IS1004HR
15.00	IS1502HR	–	–
20.00	IS2002HR	–	–
25.00	IS2502HR	–	–
TYPE HP: HIGH POWER			
0.50	–	–	IS0.504HP
1.00	–	–	IS0104HP
2.25	IS0202HP	IS0203HP	IS0204HP
3.50	IS0302HP	IS0303HP	IS0304HP
5.00	IS0502HP	IS0503HP	IS0504HP
7.50	IS0702HP	IS0703HP	IS0704HP
10.00	IS1002HP	IS1003HP	IS1004HP
15.00	IS1502HP	–	–