

Features

- Low Loss
- High Rejection
- Excellent Return Loss

Description

Surface mount, silver (Ag) coated neodymium ceramic filter. Developed for use in 450 MHz CDMA infrastructure applications.

Weight: 7.04 grams typical

Material: Filter is composed of a ceramic block plated with Ag.

Filter complies with RoHS standards.



Electrical Specifications

Parameter	Frequency (MHz)	Typical @ 25°C	Specification @ 25°C	Spec. over -40°C to +85°C
Electrical Response				
Passband Insertion Loss	462 - 468	1.2 dB	1.7 dB	1.8 dB max
Passband Return Loss	462 - 468	17.0 dB	10.0 dB	10.0 dB min
Passband Ripple (@ 3.5 MHz)	462 - 468	.11 dB	.75 dB	.75 dB max
Attenuation:	375	43.0 dB	40.0 dB	40.0 dB min
	555 - 600	65.0 dB	40.0 dB	40.0 dB min

Note: Supplier shall test each filter to the critical electrical specifications of the above table. Any subsequent audits may deviate from in value due to measurement repeatability among different test systems. Such deviations shall not exceed the following limits:

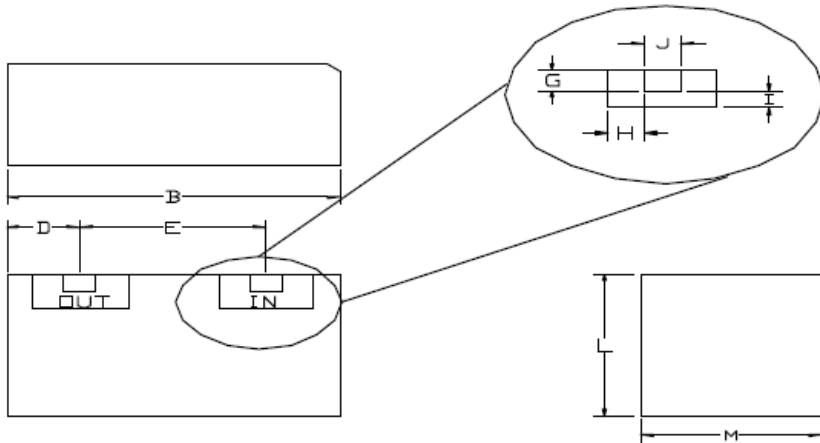
Specification Allowance	
Insertion Loss	0.1 dB
Return Loss	1.0 dB
Stopbands	1.0 dB

*This product is covered by one or more of the following U.S. and foreign patents including: US 4,692,726;US 4,742,562; US 4,800,348;US 4,829,274;US 5,146,193;EP 0573597;DE 0573597;FR 0573597;JP 508149/92;KR 142171;US 5,162,760;US 5,218,329;US 5,250,916;US 5,327,109;US 5,488,335;CA 2114029;FR 9306297;GB 2273393;JP 3205337;KR 115113;CN 93106228.4;US 5,512,866;EP 0706719;DE 0706719;FR 0706719;GB 0706719;CN 95190359.4;US 5,602,518;US 5,721,520;US 5,745,018;EP 0910875;DE 0910875;DK 0910875;FR 0910875;GB 0910875;IE 0910875;JP 505182/98;KR 10-323013;US 5,994,978;US 6,462,629;CN 00810420.4;US 6,559,735;US 6,650,202;US 6,834,429. Other US and foreign patents pending.

CTS Corporation 2006 reserves all copyrights in the layout, design and configuration of the patterns on this product.

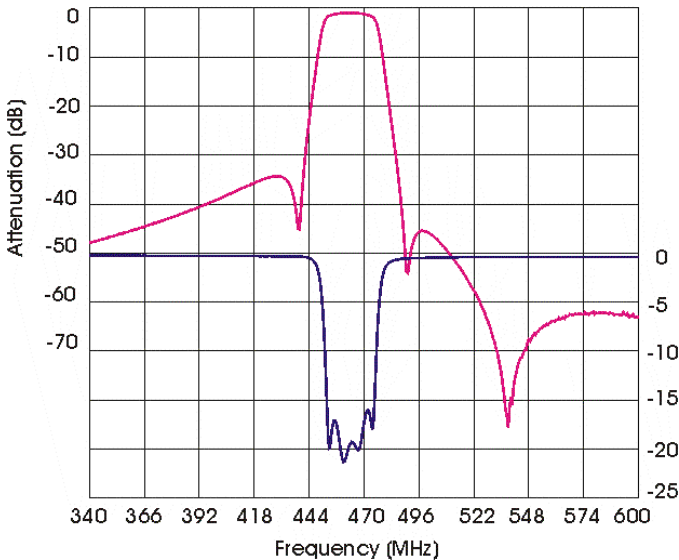
Mechanical Drawing

Rev 0 – Origin Date: July 11, 2005 – Revision Date: July 11, 2005



Dim	Nominal (mm)	Tolerance (mm) +/- or max
A		
B	14.74	max
C		
D	1.61	0.13
E	11.38	0.13
F		
G	1.02	0.13
H	0.64	0.13
I	0.64	0.13
J	1.02	0.13
K		
L	16.6	max
M	6.0	max

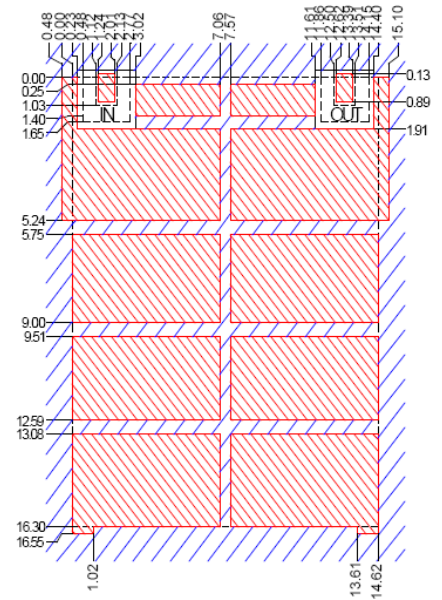
Electrical response



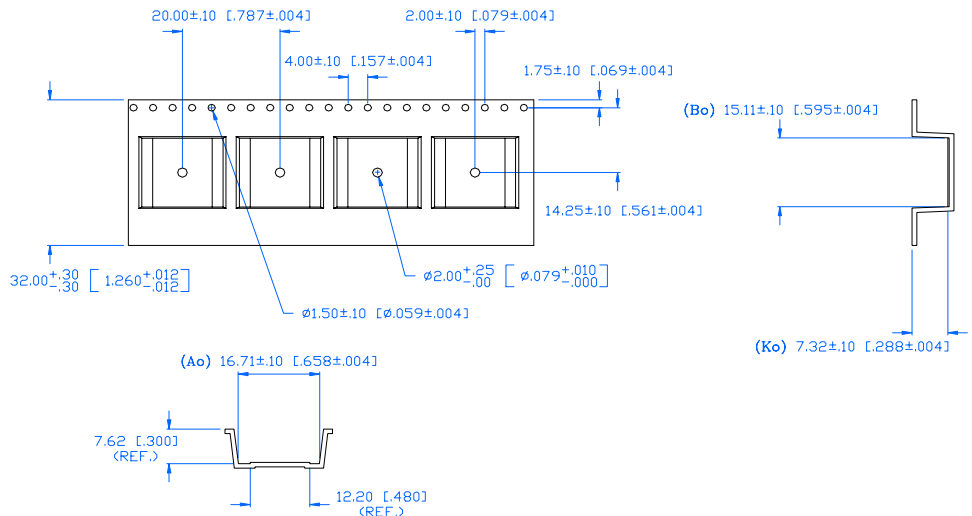
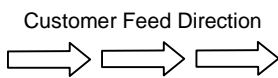
PCB Layout

Dimensions are in mm. Tolerance = ±0.13

- Filter Outline
- Exposed Conductor
- Solder Resist Over Dielectric
- Solder Resist Over Conductor



Packaging and Marking



DIMENSION	UNITS	SPECIFICATION
REEL DIAMETER	mm	330
REEL WEIGHT	kg	2.3
REEL QUANTITY	ea.	250