

## Features

- Low Loss
- Excellent Return Loss
- Symmetrical Attenuation

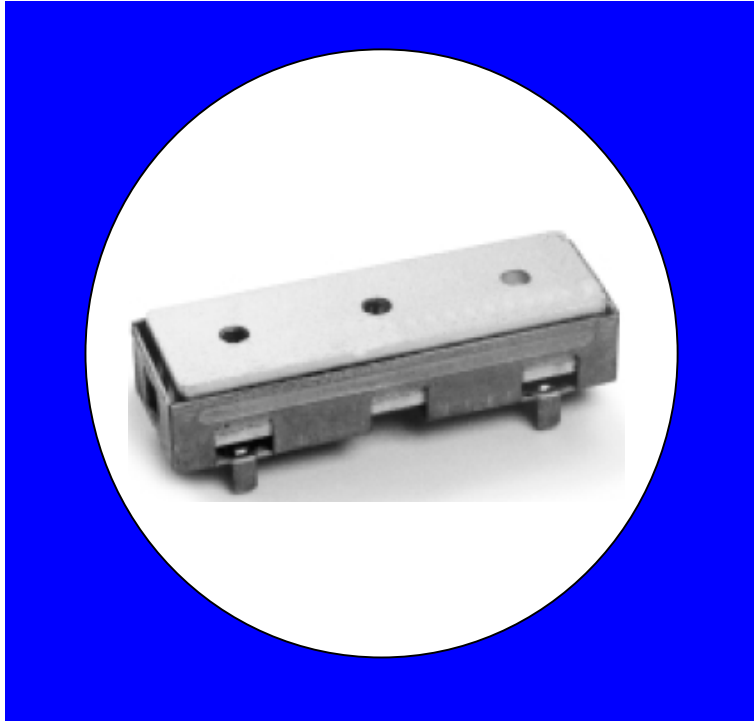
## Description

Pin mounted, silver (Ag) coated ceramic filter. Developed for use in Military GPS L2 applications.

Weight: 20.4 grams typical

Material: Filter is composed of a ceramic block plated with Ag and a bracket made of 60-40 tin lead plated cold roll steel.

Filter complies with RoHS standards.



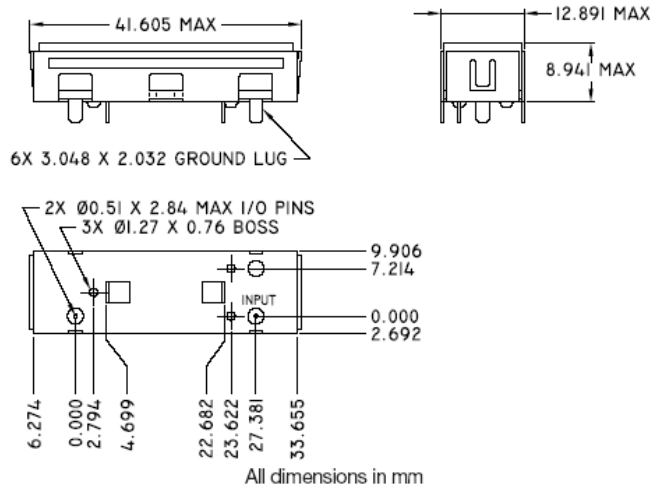
## Electrical Specifications

Parameter	Frequency (MHz)	Typical @ 25°C	Spec. @ 25°C
Passband Insertion Loss	1217.6-1237.6	0.8 dB	1.0 dB max
Passband Return Loss	1212.6-1242.6	15.0 dB	12.0 dB min
Attenuation	1152.6	32.0 dB	30.0 dB min
	1302.6	32.0 dB	30.0 dB min

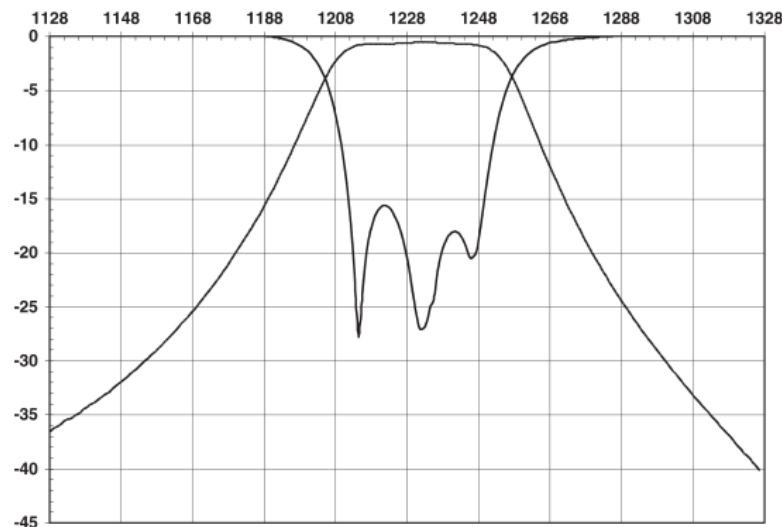
Note: Supplier shall test each filter to the critical electrical specifications of the above table. Any subsequent audits may deviate from in value due to measurement repeatability among different test systems. Such deviations shall not exceed the following limits:

Specification Allowance	
Insertion Loss	0.1 dB
Return Loss	1.0 dB
Stopbands	1.0 dB

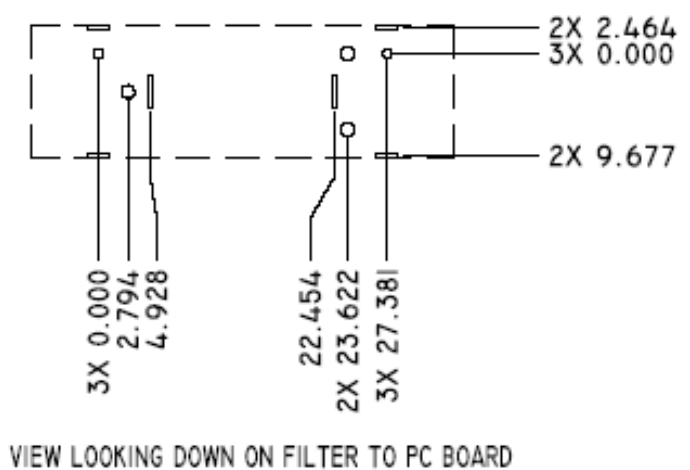
## Mechanical Drawing



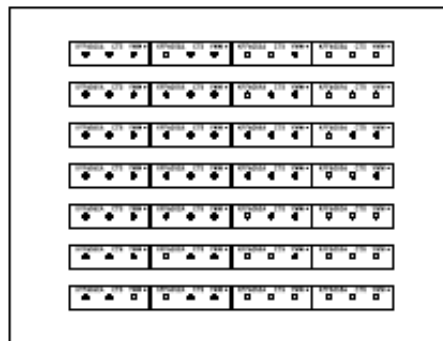
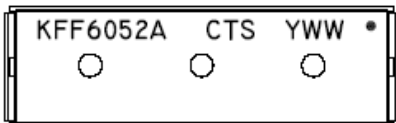
## Electrical response



## PCB Layout



## Packaging and Marking



7 28 Slot Foam Trays  
(196 max per box)