

Features

- Low loss
- Flat Low Ripple
- High Rejection

Description

Surface mount, silver (Ag) coated ceramic duplexer. Developed for use in DCS infrastructure applications.

Weight: 3.0 grams typical

Material: Filter is composed of a ceramic block plated with Ag and a shield made of nickel silver plated steel.

Filter complies with RoHS standards.



Electrical Specifications

Parameter	Frequency MHz	Typical @ 25°C	Specification @ 25°C	Spec over -40°C to +85°C
Low Band Response (S21)				
Passband loss	1740 - 1785	-1.60	-2.00	-2.20
Passband Ripple	1740 - 1785	1.00	1.40	1.50
Passband Return Loss @ Port 2	1740 - 1785	-15.00	-13.50	-13.50
Passband Return Loss @ Ant	1740 - 1785	-15.00	-13.50	-13.50
Attenuation	1710 - 1720	-0.50	0.00	0.00
	1835 - 1880	-54.00	-50.00	-50.00
	3480 - 3570	-6.00	-5.00	-5.00
High Band Response (S13)				
Passband loss	1835 - 1880	-1.80	-2.10	-2.30
Passband Ripple	1835 - 1880	1.00	1.40	1.50
Passband Return Loss @ Port 3	1835 - 1880	-15.00	-13.50	-13.50
Passband Return Loss @ Ant	1835 - 1880	-15.00	-13.50	-13.50
Attenuation	1740 - 1785	-54.00	-50.00	-50.00
	1805 - 1815	-2.50	-1.00	-1.00
	3670 - 3760	-15.00	-13.00	-13.00
Isolation (S23)				
Rejection @ Low Band	1740 - 1785	-52.00	-50.00	-50.00
Rejection @ Mid Band	1785 - 1835	-42.00	-40.00	-40.00
Rejection @ High Band	1835 - 1880	-52.00	-50.00	-50.00
Power into any port		5 Watt max		

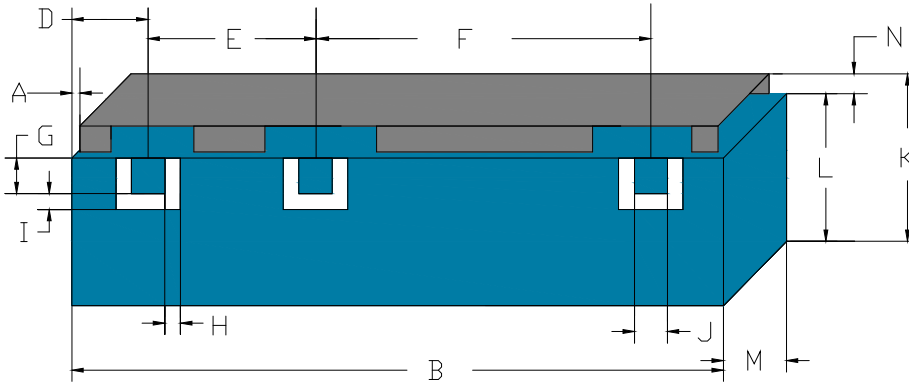
Note: Supplier shall test each filter to the critical electrical specifications of the above table. Any subsequent audits may deviate from in value due to measurement repeatability among different test systems. Such deviations shall not exceed the following limits:

Specification Allowance	
Insertion Loss	0.1 dB
Return Loss	1.0 dB
Stopbands	1.0 dB

*This product is covered by one or more of the following U.S. and foreign patents including: US 4,692,726;US 4,742,562; US 4,800,348;US 4,829,274;US 5,146,193;EP 0573597;DE 0573597;FR 0573597;JP 508149/92;KR 142171;US 5,162,760;US 5,218,329;US 5,250,916;US 5,327,109;US 5,488,335;CA 2114029;FR 9306297;GB 2273393;JP 3205337;KR 115113;CN 93106228.4;US 5,512,866;EP 0706719;DE 0706719;FR 0706719;GB 0706719;CN 95190359.4;US 5,602,518;US 5,721,520;US 5,745,018;EP 0910875;DE 0910875;DK 0910875;FR 0910875;GB 0910875;IE 0910875;JP 505182/98;KR 10-323013;US 5,994,978;US 6,462,629;CN 00810420.4;US 6,559,735;US 6,650,202;US 6,834,429. Other US and foreign patents pending.

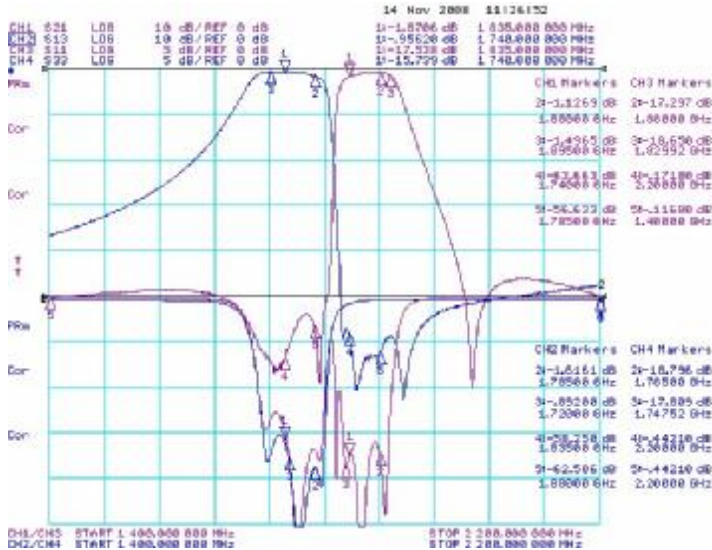
©CTS Corporation 2006 reserves all copyrights in the layout, design and configuration of the patterns on this product.*

Mechanical Drawing

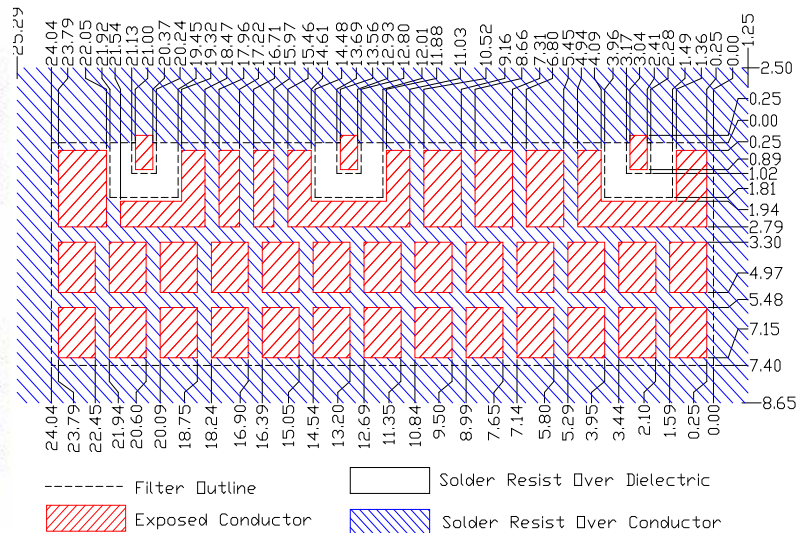


Dim	Nominal (mm)	Tolerance (mm) +/- or max
A	0.25	0.25
B	24.04	max
D	2.72	0.25
E	7.44	0.13
F	10.52	0.13
G	1.02	0.13
H	0.79	0.13
I	0.79	0.13
J	0.89	0.13
K	7.40	max
L	6.56	max
M	4.60	max
N	0.84	0.13

Electrical response



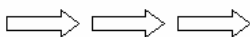
PCB Layout



Packaging and Marking

DIMENSION	UNITS	SPECIFICATION
REEL DIAMETER	mm	330
REEL WEIGHT	kg	2.3 max
REEL QUANTITY	ea.	500

CUSTOMER FEED DIRECTION



Product Marking

