

### Features

- High Rejection
- Low Ripple
- Low Loss

### Description

Surface mount, silver (Ag) coated ceramic duplexer.

Weight: 3.7 grams typical

Material: Filter is composed of a ceramic block plated with Ag and a shield made of nickel silver plated steel.

Filter complies with RoHS standards.



### Electrical Specifications

Parameter	Frequency (MHz)	Typical @ 25°C	Spec. @ 25°C	Spec. Over -40°C to +85°C
<b>Low Band Response</b>				
Passband Insertion Loss	1925.5 - 1937	-2.2	-2.7	-3.0
Passband Ripple	1925.5 - 1937	0.5	0.9	1.0
Passband Return Loss @ Ant	1925.5 - 1937	-16.0	-14.0	-14.0
Passband Return Loss @ Low Band	1925.5 - 1937	-16.0	-14.0	-14.0
Group delay variation	1925.5 - 1937	5nS	50nS	50nS
Attenuation	810- 1879.9	-34.0	-30.0	-30.0
	2110 - 2130	-55.0	-50.0	-50.0
	2130 - 2625	-43.0	-40.0	-40.0
<b>High Band Response</b>				
Passband Insertion Loss	2115.5 - 2127	-2.3	-2.7	-3.0
Passband Ripple	2115.5 - 2127	0.5	0.9	1.0
Passband Return Loss @ Ant	2115.5 - 2127	-16.0	-14.0	-14.0
Passband Return Loss @ High Band	2115.5 - 2127	-16.0	-14.0	-14.0
Group delay variation	2115.5 - 2127	5nS	50nS	50nS
Attenuation:	830- 1785	-46.0	-44.0	-44.0
	1884.5- 1919.6	-50.0	-46.0	-46.0
	1920 - 1940	-55.0	-50.0	-50.0
	1940 - 1980	-53.0	-36.0	-36.0
	2545 - 2625	-55.0	-47.0	-47.0
Power into any port			2 Watts max	

Note: Supplier shall test each filter to the critical electrical specifications of the above table. Any subsequent audits may deviate from in value due to measurement repeatability among different test systems. Such deviations shall not exceed the following limits:

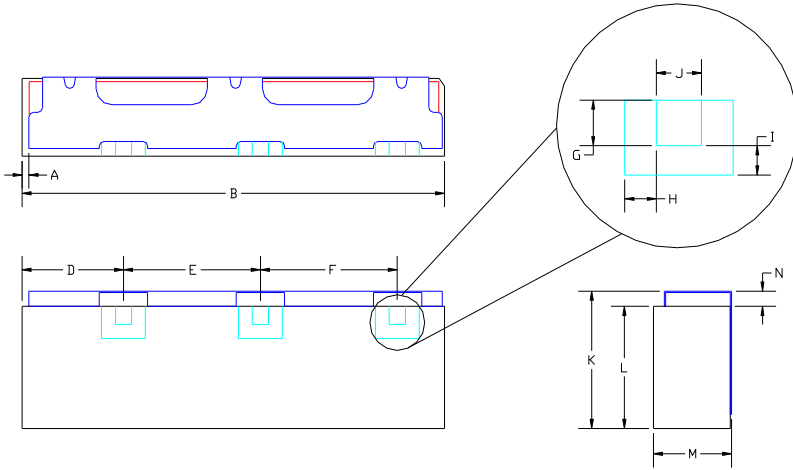
Specification Allowance

Insertion Loss	0.1 dB
Return Loss	1.0 dB
Stopbands	1.0 dB

\*This product is covered by one or more of the following U.S. and foreign patents including: US 4,692,726;US 4,742,562; US 4,800,348;US 4,829,274;US 5,146,193;EP 0573597;DE 0573597;FR 0573597;JP 508149/92;KR 142171;US 5,162,760;US 5,218,329;US 5,250,916;US 5,327,109;US 5,488,335;CA 2114029;FR 9306297;GB 2273393;JP 3205337;KR 115113;CN 93106228.4;US 5,512,866;EP 0706719;DE 0706719;FR 0706719;GB 0706719;CN 95130359.4;US 5,602,518;US 5,721,520;US 5,745,018;EP 0910875;DE 0910875;DK 0910875;FR 0910875;GB 0910875;IE 0910875;JP 505182/98;KR 10-323013;US 5,994,978;US 6,462,629;CN 00810420.4;US 6,559,735;US 6,650,202;US 6,834,429. Other US and foreign patents pending.

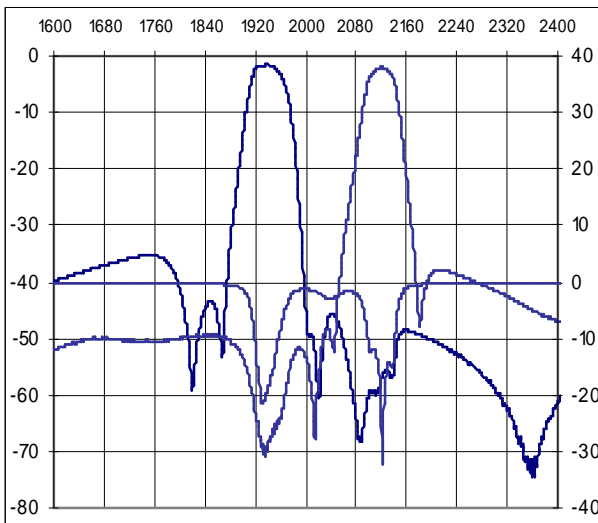
\*CTS Corporation 2006 reserves all copyrights in the layout, design and configuration of the patterns on this product.\*

### Mechanical Drawing

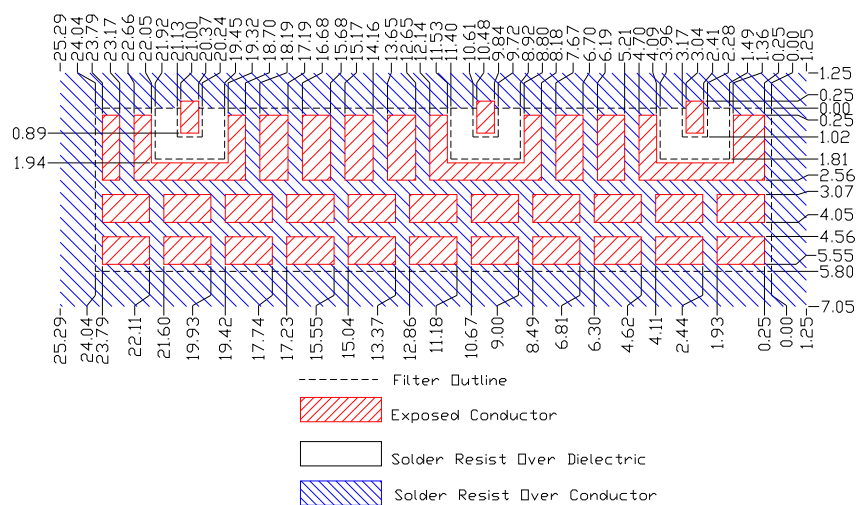


Dim	Nominal (mm)	Tolerance (mm) +/- or max
A	0.25	0.25
B	24.04	max
C		
D	2.72	0.25
E	7.44	0.13
F	10.52	0.13
G	1.02	0.13
H	0.79	0.13
I	0.79	0.13
J	0.89	0.13
K	6.40	max
L	5.40	max
M	4.60	max
N	0.84	0.13

### Electrical response

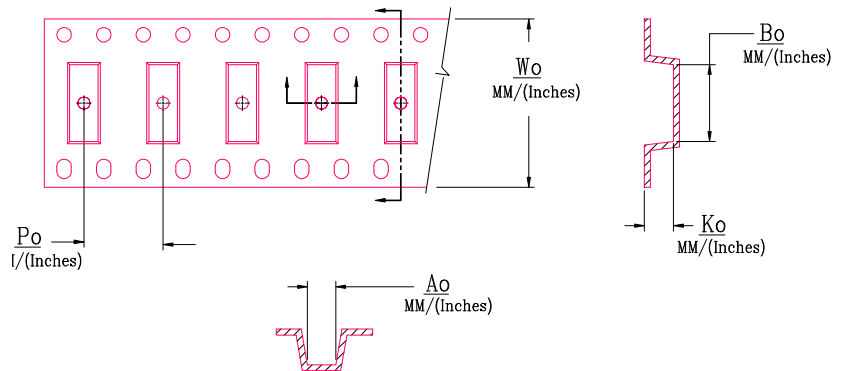
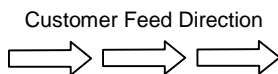


### PCB Layout



### Packaging and Marking

DIMENSION	UNITS	SPECIFICATION
REEL DIAMETER	mm	330
REEL WEIGHT	kg	2.3
REEL QUANTITY	ea.	500



$W_o$ Inches/mm	$A_o$ Inches/mm	$B_o$ Inches/mm	$K_o$ Inches/mm	$P_o$ Inches/mm
1.732" / 44.0	0.271" / 6.88	0.974" / 24.74	0.195" / 4.95	0.472" / 12.0