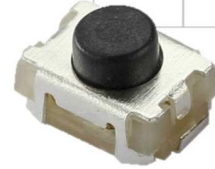




# Series 226H

## 3.9x2.9mm Compact Tactile Switch

- Surface mount J bend terminal configurations
- Compatible with IR reflow and manual soldering



### Ordering Information

Series	Terminal Type	Actuating Direction	Actuator Height "L"	Actuator Force	Packaging	Boss																			
226H	J1	V	A	A	R	B																			
<table border="1"> <thead> <tr> <th>Code</th> <th>Spec.</th> </tr> </thead> <tbody> <tr> <td>J1</td> <td>Surface mount J bend type1</td> </tr> </tbody> </table>		Code	Spec.	J1	Surface mount J bend type1	<table border="1"> <thead> <tr> <th>Code</th> <th>Spec.</th> </tr> </thead> <tbody> <tr> <td>V</td> <td>Vertical</td> </tr> </tbody> </table>		Code	Spec.	V	Vertical	<table border="1"> <thead> <tr> <th>Code</th> <th>Spec.</th> </tr> </thead> <tbody> <tr> <td>A</td> <td>160 gf</td> </tr> <tr> <td>B</td> <td>250 gf</td> </tr> </tbody> </table>		Code	Spec.	A	160 gf	B	250 gf	<table border="1"> <thead> <tr> <th>Code</th> <th>Spec.</th> </tr> </thead> <tbody> <tr> <td>R</td> <td>Tape &amp; reel packaging</td> </tr> </tbody> </table>		Code	Spec.	R	Tape & reel packaging
Code	Spec.																								
J1	Surface mount J bend type1																								
Code	Spec.																								
V	Vertical																								
Code	Spec.																								
A	160 gf																								
B	250 gf																								
Code	Spec.																								
R	Tape & reel packaging																								
			<table border="1"> <thead> <tr> <th>Code</th> <th>Spec.</th> </tr> </thead> <tbody> <tr> <td>A</td> <td>2.0mm</td> </tr> <tr> <td>B</td> <td>2.5mm</td> </tr> <tr> <td>C</td> <td>1.5mm</td> </tr> </tbody> </table>		Code	Spec.	A	2.0mm	B	2.5mm	C	1.5mm	<table border="1"> <thead> <tr> <th>Code</th> <th>Spec.</th> </tr> </thead> <tbody> <tr> <td>B</td> <td>With boss, only for 2.0 &amp; 2.5mm actuator height</td> </tr> <tr> <td>Blank</td> <td>No boss</td> </tr> </tbody> </table>		Code	Spec.	B	With boss, only for 2.0 & 2.5mm actuator height	Blank	No boss					
Code	Spec.																								
A	2.0mm																								
B	2.5mm																								
C	1.5mm																								
Code	Spec.																								
B	With boss, only for 2.0 & 2.5mm actuator height																								
Blank	No boss																								

Notes: Contact CTS for other common features not listed.



### Electrical Specifications

Parameter	Conditions & Remarks	Min	Max	Unit
Contact Resistance			100	milliohms
Insulation Resistance	Between insulated terminals	100		Megohms
Dielectric Strength	1 minute between adjacent switches		250	VAC
Nonswitching Rating			50 or 12	mA or VDC

### Mechanical and Environmental

Soldering	Maximum reflow temperature, 260°C for 5 seconds Maximum manual temperature, 350°C for 3 seconds		
Actuation Life	160 gf 250 gf	200,000 100,000	cycles
RoHS	Lead-Free. Fully compliant to RoHS Directive 2011/65/EU		
Operating Force	160, 250 gf		
Actuator Strength	3 Kgf maximum		
Travel	0.2 mm		
Packaging	Standard tape and reel packaging		
Operating Temperature Range	-40°C to +85°C		
Storage Temperature Range	-40°C to +85°C		

Mechanical Specifications

Figure 1 – 226HJ1VA/B...(B), Surface Mount J Bend Type1, With Middle/Long Actuator

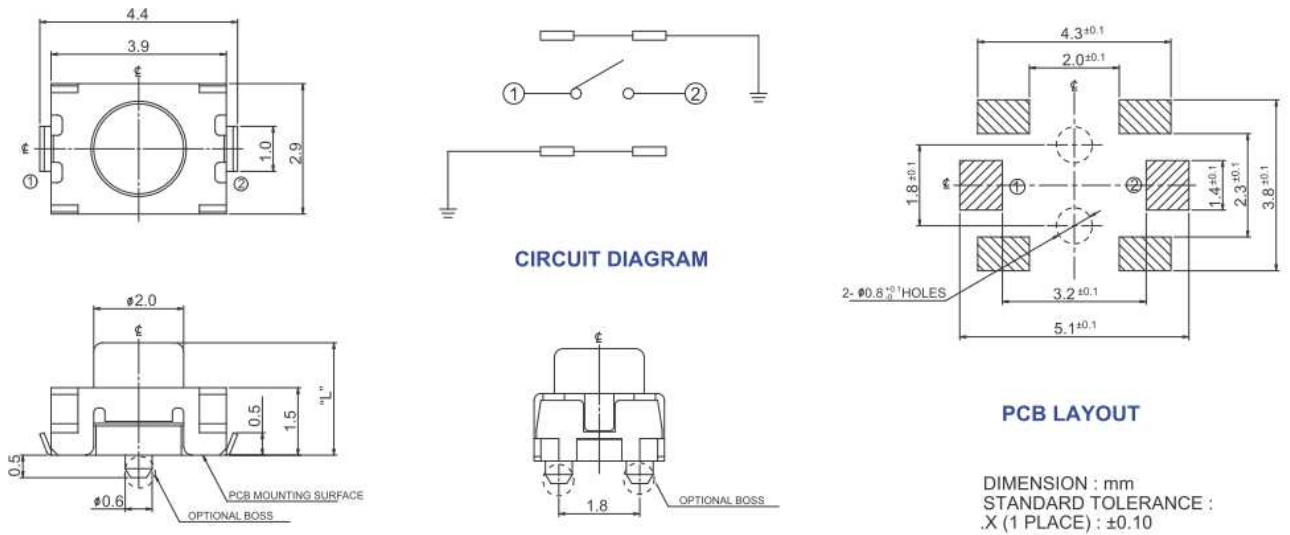
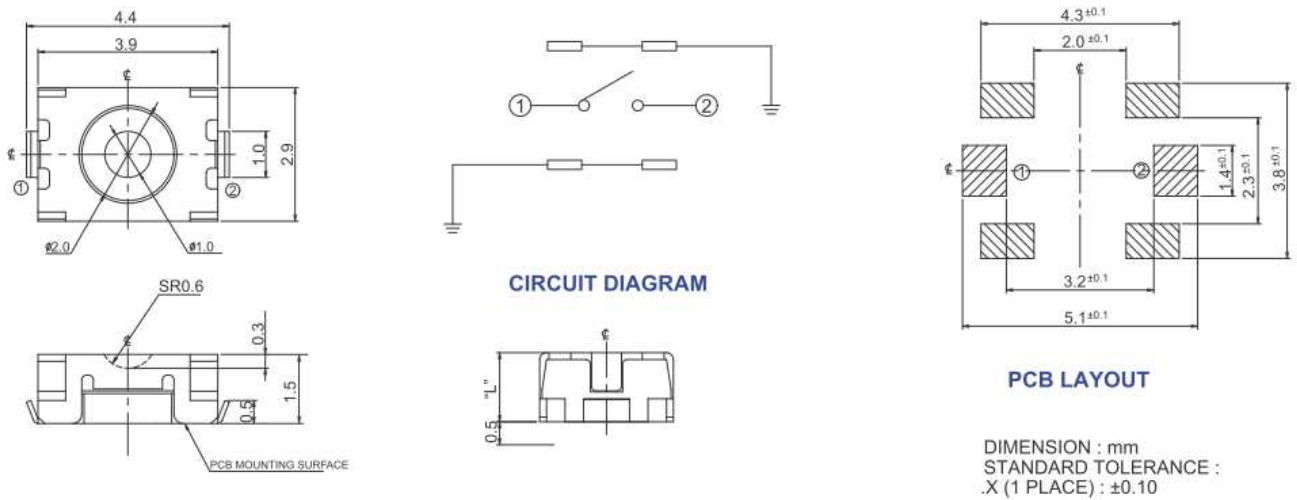


Figure 2 – 226HJ1VC..., Surface Mount J Bend Type1, With Flush Actuator

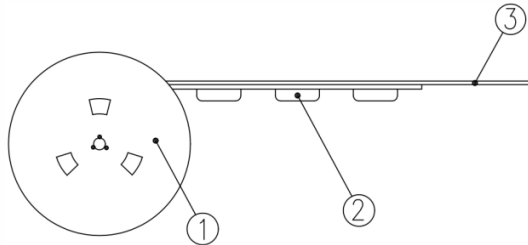


Packing: Tape and Reel

Surface Mount J Bend, Flush/Medium Actuator

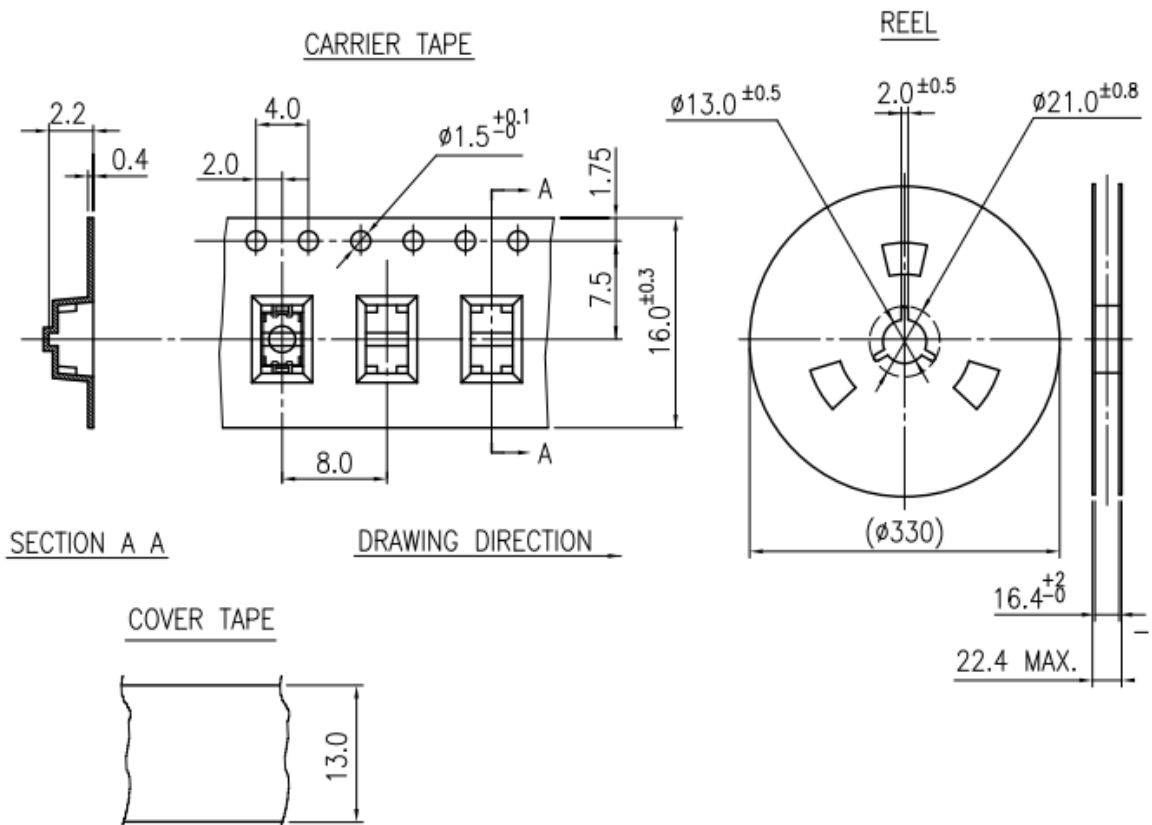
The packing specifications :

Structure and materials :



③	COVER TAPE	POLYESTER
②	CARRIER TAPE	POLYSTYRENE
①	REEL	POLYSTYRENE
NO.	PARTS NAME	MATERIALS

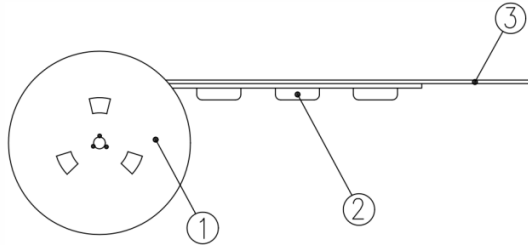
1. Packing quantity : 2,500 pcs/reel
2. More than 10 empty pockets should remain at each end of the carrier tape for each reel.
3. Shortage less than 10 pcs a reel is acceptable but more than 3 consecutive empty pockets are allowed.
4. Stripping strength of cover tape is between 10 gf to 70 gf and stripping angle should be within 165°~180°.
5. The product in the pocket of carrier tape should be placed in a specified correct position.
6. Tape and reel per EIA-481.
7. D



Surface Mount J Bend, Long Actuator

The packing specifications :

Structure and materials :



③	COVER TAPE	POLYESTER
②	CARRIER TAPE	POLYSTYRENE
①	REEL	POLYSTYRENE
NO.	PARTS NAME	MATERIALS

1. Packing quantity : 2,300 pcs/reel
2. More than 10 empty pockets should remain at each end of the carrier tape for each reel.
3. Shortage less than 10 pcs a reel is acceptable but no more than 3 consecutive empty pockets are allowed.
4. Stripping strength of cover tape is between 10 gf to 70 gf and stripping angle should be within 165°~180°.
5. The product in the pocket of carrier tape should be placed in a specified correct position.
6. Tape and reel per EIA-481
7. Dimensions :

