

Industrial Rotary Switch

Features

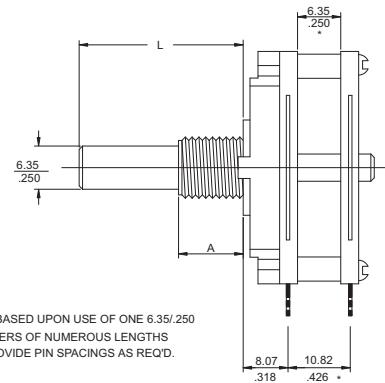
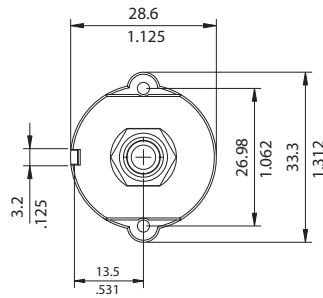
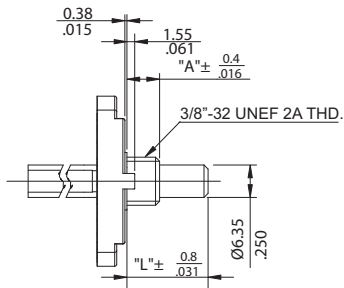
- Hill and valley detent
- Enclosed diecast detent plate
- Low cost
- 30° indexing
- Solder lug and printed circuit terminals available
- Molded stator prevents solder from flowing into the circuit
- Custom switching patterns available
- Index or wafers are available separately
- RoHS compliant



Electrical and Mechanical Specifications

- Indexing**
Double bump spring hill and valley detent with 30° indexing for 2 through 12 positions or continuous rotation.
- Voltage and Contact Rating**
UL Rating: 3/4 amp at 125 VAC (shorting type only)
Special Rating: 1/4 amp at 28 VDC (shorting or non shorting)
1 amp at 28 VDC (shorting type only)
- Contact Resistance**
.015 ohm max. when measured from adjacent terminals
- Stop Strength**
15 in-lb (17.3 Kgf-cm)
- Torque**
As required within a range of 10 in-oz. (720 gf-cm) to 60 in-oz. (4.3 Kgf-cm)
- Detent Rotational Life**
25,000 cycles
- Materials**
Shaft: Aluminum or brass at CTS option
Bushing: Brass or Zinc diecast at CTS option
Detent Spring: Stainless steel
Detent Plate: Zinc diecast
Rotor Contacts, Stator Contacts and Terminals: Silver plated brass standard
Stator Insulator: Glass reinforced thermoset material
- Bushing Lengths**
Standard: 3/8"-32 UNEF-2A Thread, 1/4" (6.35mm) or 3/8" (9.53mm) long.
Special Lengths: Available as required
- Locating Lugs**
Standard: Left side .531" (13.5mm) radius
Special: Right side .531" (13.5mm) radius or no lug
- Shaft Trim**
Standard: Plain round, Flat, Slot, Knurl, or mixed (Flat with Slot)
Special: Available as required
- Frames**
Machine screw, or staked strut (up to 3 wafers only)

Physical Dimensions



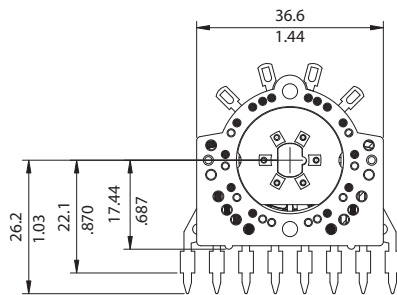
NOTE :
10.82/.426 DIMENSION BASED UPON USE OF ONE 6.35/.250
NO SPACERS OR SPACERS OF NUMEROUS LENGTHS
ARE AVAILABLE TO PROVIDE PIN SPACINGS AS REQ'D.

Detent Only

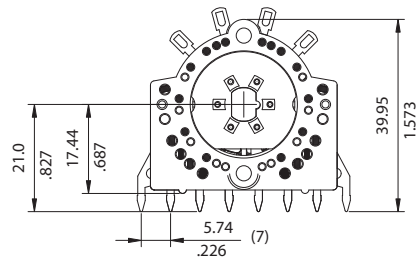
Typical Assembled Switch

DIMENSION: $\frac{\text{mm}}{\text{inch}}$

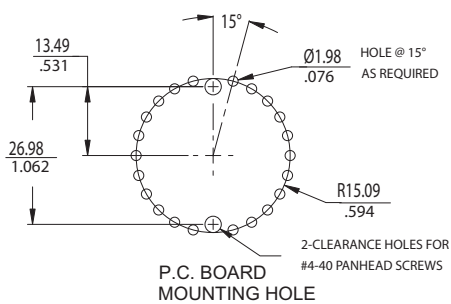
Available Terminal Styles



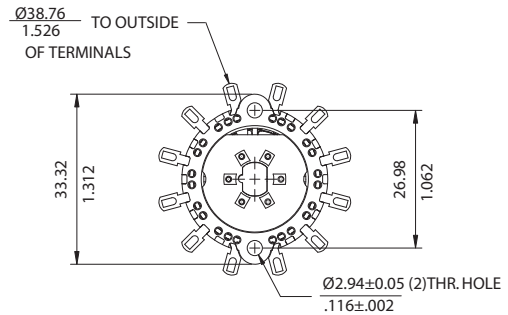
Y-Style



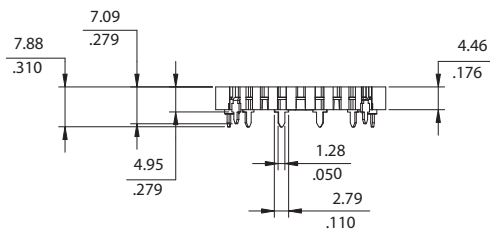
X-Style



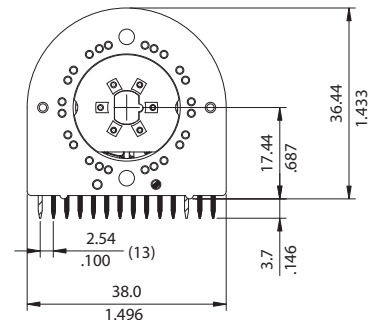
P.C. BOARD MOUNTING HOLE



T-Style



U-Style



P-Style

DIMENSION: $\frac{\text{mm}}{\text{inch}}$

Ordering Information

