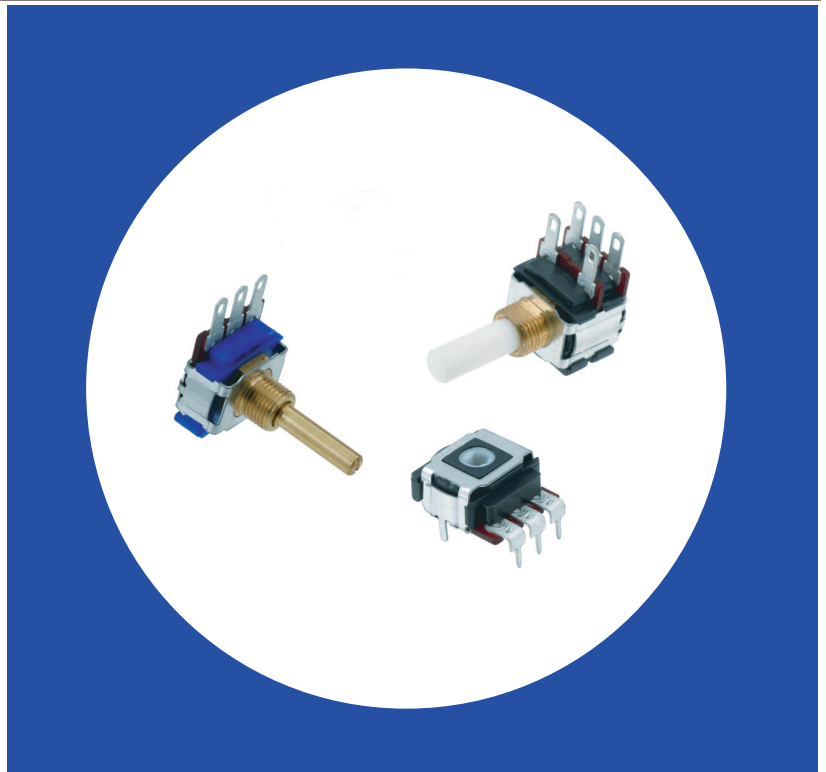


### Commercial 18mm Diameter Carbon Composition Rotary Potentiometer

#### Features

- 500K Cycle Life Available
- 2% Precision Linearity Available
- Durable Brass Bushing and Shaft
- Wide Resistance Range
- Low Noise
- Solder Lug, Faston, PCB Terminal
- Single, Dual, or Concentric Tandem Construction
- RoHS compliant



### Electrical and Mechanical Specifications

#### Resistance Range

500 ohms through 5 Megohms, linear  
5K ohms through 500K ohms, audio

#### Resistance Tolerance

±30%, ±20%, ±10%

#### Power Rating

0.25 watts @ 55°C

#### Dielectric Strength

750 VAC for 1 minute

#### Maximum Operating Voltage

500 VDC

#### Insulation Resistance

100 Megohms minimum @ 250 VDC

#### Rotational Angle

300°

#### Rotational Torque

36 – 216 gf-cm (.5~3 in.oz)

#### Stop Strength

5.76 kgf-cm minimum

#### Linearity

Standard : ±5%  
Special : ±3%, ±2%

#### Mounting Information

Bushing mount on Panel  
Bracket mount on PCB

#### Push-Pull Strength of Shaft

8 kg for 10 seconds

#### Rotational Life

Standard : 10K cycles  
Special : 100K, 250K, 500K cycles

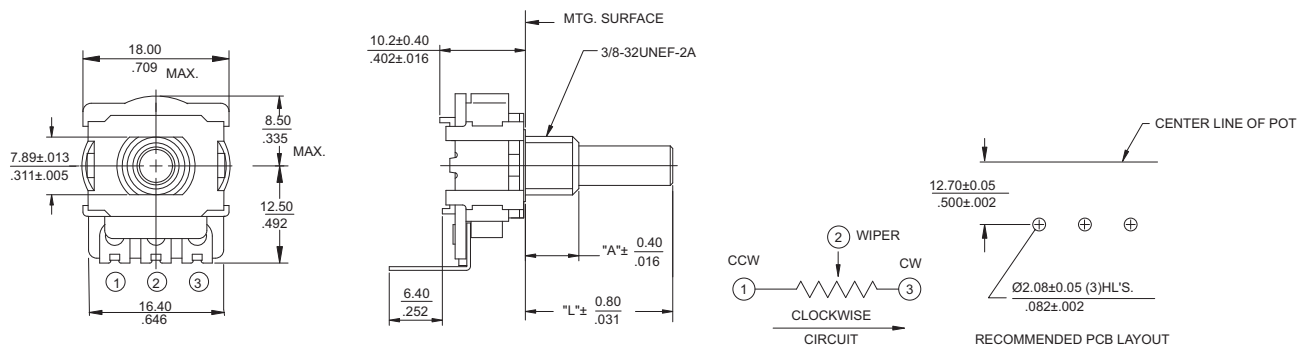
#### Operating temperature

-10°C to +80°C

#### Solder Heat Resistance

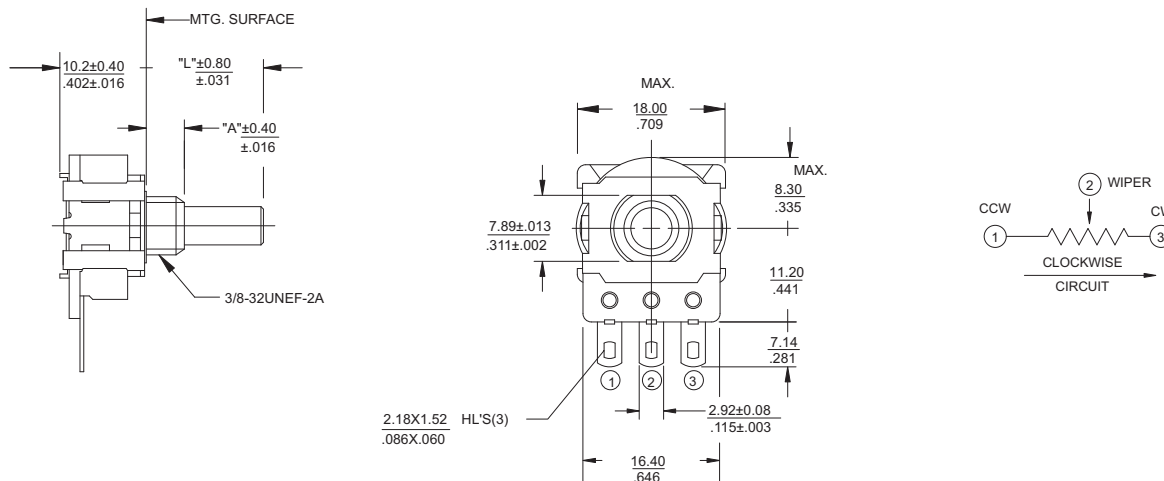
260°C for 5 seconds

## 280V Metal Shaft, Bushing Mount, Printed Circuit Type "V" Terminals



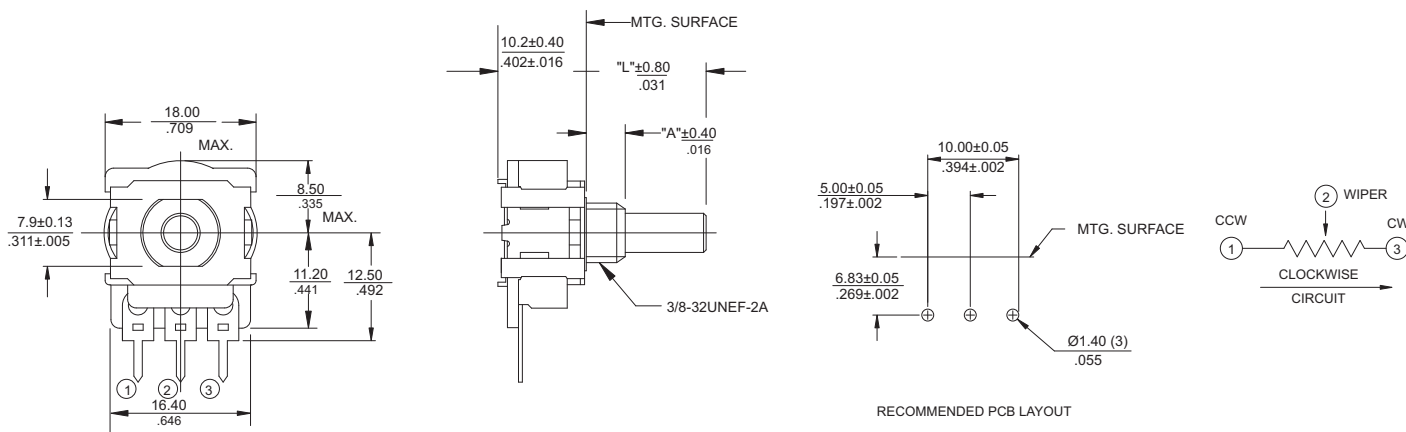
DIMENSION:  $\frac{\text{mm}}{\text{INCH}}$

## 280T Metal Shaft, Bushing Mount, Type "T" Solder Lug Terminals



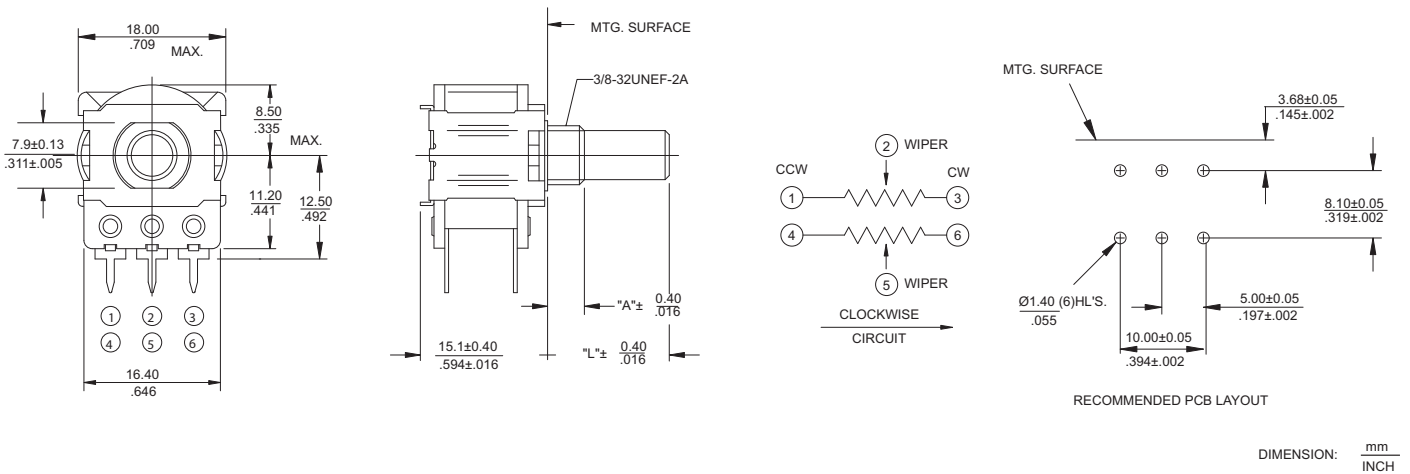
DIMENSION:  $\frac{\text{mm}}{\text{INCH}}$

## 280X Metal Shaft, Bushing Mount, Printed Circuit Type "X" Terminals

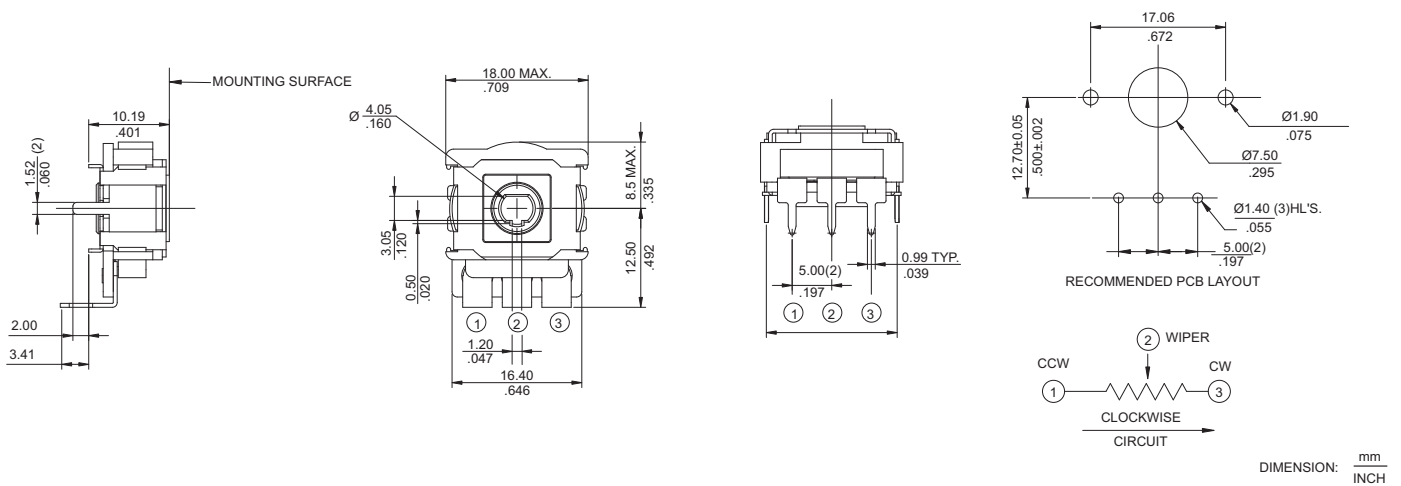


DIMENSION:  $\frac{\text{mm}}{\text{INCH}}$

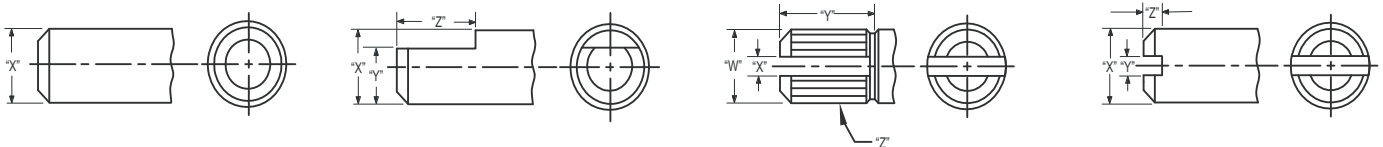
## X2-280 Dual Section, Metal Shaft, Bushing Mount, Printed Circuit Type "X" Terminals



## 280V-SPL Through Hole, Plastic Rotor, Printed Circuit Type "V" Terminals, Continuous Rotation.



## Shaft Trim



### R - ROUND

	X
Imperial Shaft	.250"
Metric Shaft	6.00

### F - FLATTED

	X	Y	Z
Imperial Shaft	.250"	.156"	.375"
Metric Shaft	6.00	4.50	7.00

### K - KNURLED & SLOTTED

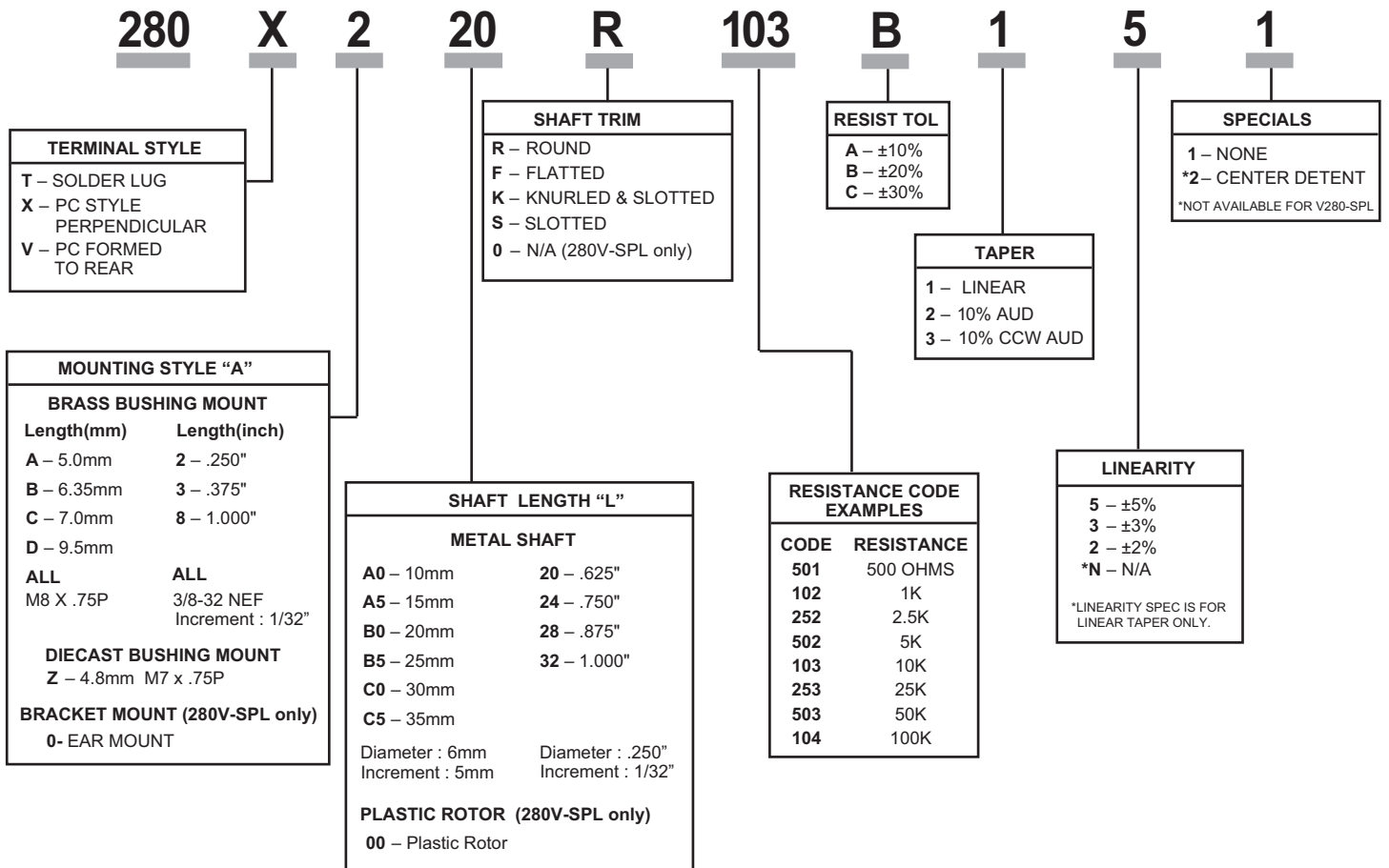
	W	X	Y	Z
Imperial Shaft	.250"	.062"	.344"	24 TEETH
Metric Shaft	6.00	1.57	7.0	18 TEETH

### S - SLOTTED

	X	Y	Z
Imperial Shaft	.250"	.046"	.062"
Metric Shaft	6.00	1.17	1.57

DIMENSION: inch / mm

## Ordering Information



Please consult factory for dual constructions or custom features not listed.