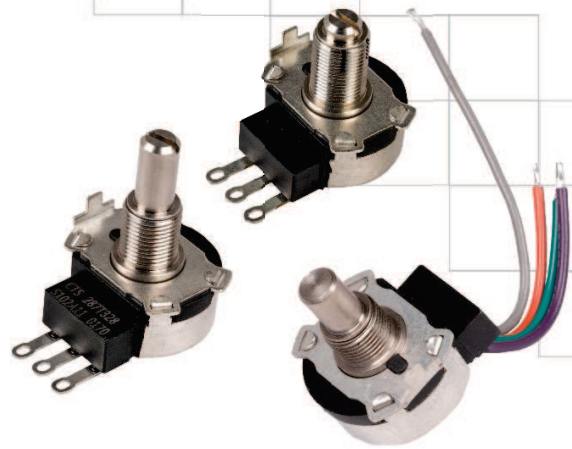




Series 287

24mm Rotary Potentiometer

- Ceramic Printed Element
- High Rated Power: 2 watts
- Rotational Torque: 600 ± 200 gf-cm
- Rotational Life: 100,000 cycles
- Ingression Protection Rating: IP50
- Rugged Metal Shaft and Bushing
- Solder Lug, PC Mount and Flexible Lead Options



Ordering Information

| Series | Terminal Style | Mounting Style "A" | Shaft Length "L" | Shaft Trim | Resistance Code | Resistance Tolerance | Taper | A/R Lug Options |
|--------|----------------|--------------------|------------------|------------|-----------------|----------------------|-------|-----------------|
| 287 | T | 2 | 20 | R | 103 | B | 1 | 1 |

| Code | Spec. |
|------|----------------------------|
| X | PC mount |
| T | Solder Lugs |
| C | Wire leads (100 mm length) |

| Metal Shaft | |
|-------------|-------------------|
| 12 | .375" (9,53 mm) * |
| 16 | .500" (12,7 mm) * |
| 20 | .625" (15,88 mm) |
| 24 | .750" (19,05 mm) |
| 28 | .875" (22,23 mm) |
| 32 | 1.00" (25,4 mm) |
| 40 | 1.25" (31,75 mm) |
| 64 | 2.00" (50,8 mm) |
| 80 | 2.50" (63,5 mm) |

Diameter: 1/4"
Length increment: 1/32"
*Available with .250" bushing length only.

| Bushings | |
|----------|----------------------------------|
| 2 | .250" (6,35mm) |
| 3 | .375" (9,53mm) |
| 4 | .500" (12,7 mm) |
| 5 | .500" (12,7 mm) Split locking |

Diameter: 3/8" - 32UNEF-2A
Length increment: 1/8"

| Code | Resistance |
|------|------------|
| 501 | 500 Ω * |
| 102 | 1 kΩ * |
| 202 | 2 kΩ |
| 252 | 2.5 kΩ |
| 502 | 5 kΩ |
| 103 | 10 kΩ |
| 203 | 20 kΩ |
| 253 | 25 kΩ |
| 503 | 50 kΩ |
| 104 | 100 kΩ |
| 204 | 200 kΩ * |
| 254 | 250 kΩ * |
| 504 | 500 kΩ * |
| 105 | 1 MΩ * |

*Available with linear taper only.
Other resistance values available on request

| Code | Spec. |
|------|-------|
| A | ±10% |
| B | ±20% |

| Code | Spec. |
|------|----------------|
| 1 | Left side lug |
| 4 | Right side lug |
| 5 | No lug |

| Code | Spec. |
|------|-------------|
| 1 | Linear |
| 2 | 10% AUD |
| 3 | 10% CCW AUD |

Other tapers are available on request.

| Code | Spec. |
|------|---------|
| R | Round |
| F | Flatted |
| S | Slotted |

Electrical Specifications

| Parameter | Conditions & Remarks | Min | Max | Unit |
|----------------------------|----------------------|------|------|------|
| Resistance Range | Linear | 500 | 1Meg | Ω |
| | Audio | 2000 | 100K | Ω |
| Dielectric Strength | 1 minute | | 750 | VAC |
| Power Rating | @ 70°C | | 2.0 | watt |
| Operating Voltage | | | 500 | VDC |
| Insulation Resistance | 250 VDC | 100 | | MΩ |
| Resistance Tolerance | Standard: ± 20% | | | |
| | Special: ± 10% | | | |
| Independent Linearity | ± 5% | | | |
| Effective Electrical Angle | 274° | | | |

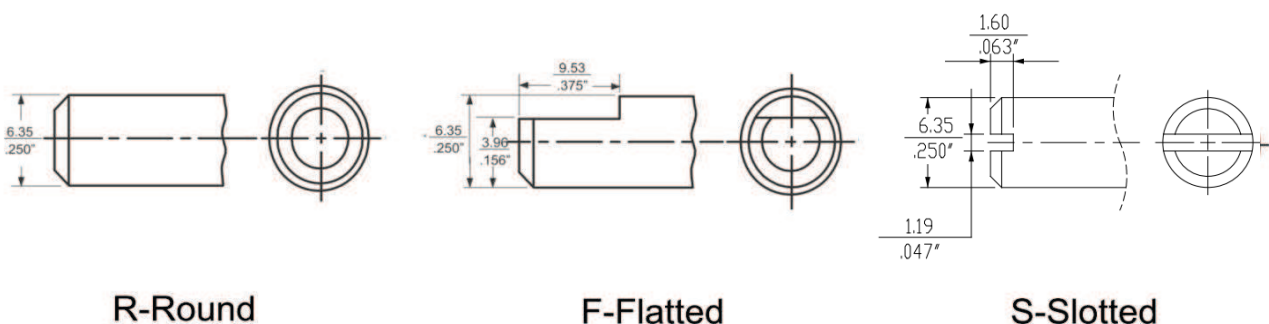
Mechanical and Environmental

| Parameter | Conditions & Remarks | Min | Max | Unit |
|-----------------------------|---|--------------------------------------|------|--------|
| Operating Temperature Range | | -40 | +120 | °C |
| Rotational Life | Element Wear | 100,000 | | cycles |
| Mechanical Angle | | | 312 | ° |
| Stop Strength | 9 kg-cm (7.8 in-lb) | | | |
| Rotational Torque | Running | 400 to 800 gf-cm (5.5 to 11.1 oz-in) | | |
| | Starting | 1800 gf-cm (25 oz-in) max. | | |
| Push-Pull Strength of Shaft | 13.6 kg for 10 seconds | | | |
| Ingression Protection | IP50, optional IP67 | | | |
| Mounting Torque | 28.8 kg-cm (25 in-lb) max. | | | |
| Weight | 22g typical (weights vary based on shaft and bushing sizes) | | | |
| Soldering Condition | Maximum temperature of 260°C for 5 seconds | | | |
| Marking | CTS logo, part number and date code | | | |
| Packaging | Standard cardboard box packaging | | | |

All testing is performed at room ambient conditions except as noted. Users should verify device actual performance in their specific applications. This product is compliant to RoHS3 Directive 2015/863 Amendments of Annex II on 31 March 2015, and REACH SVHC Directive EC 1907/2006 Amendments of Annex XIV & Annex XVII on 15 January 2018. Custom and value-added options available on request. Please contact your sales representative for additional information.

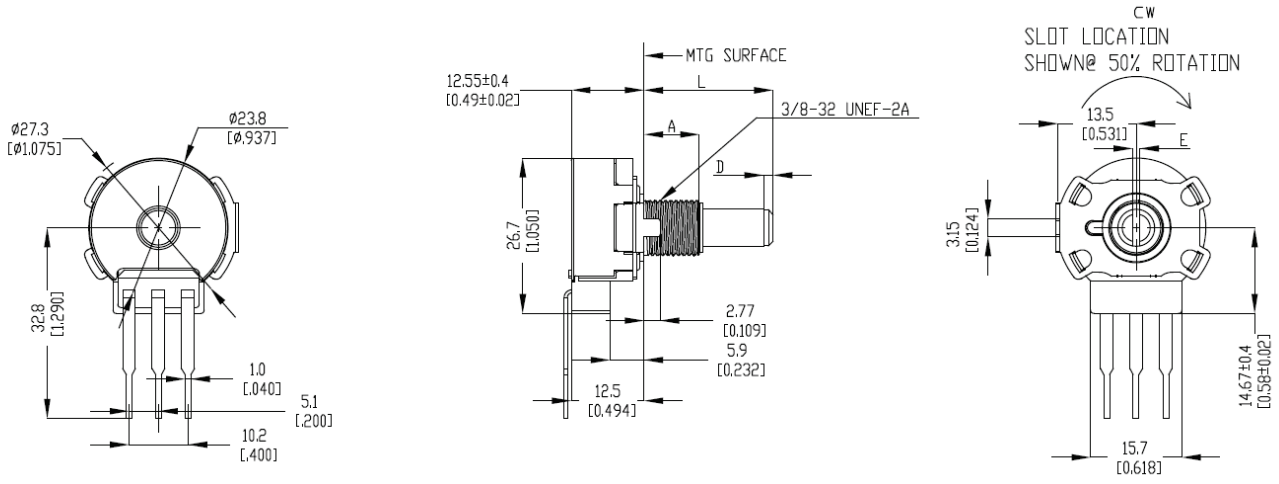
Electrical and Mechanical Specifications

Shaft Diameter and Trim Options

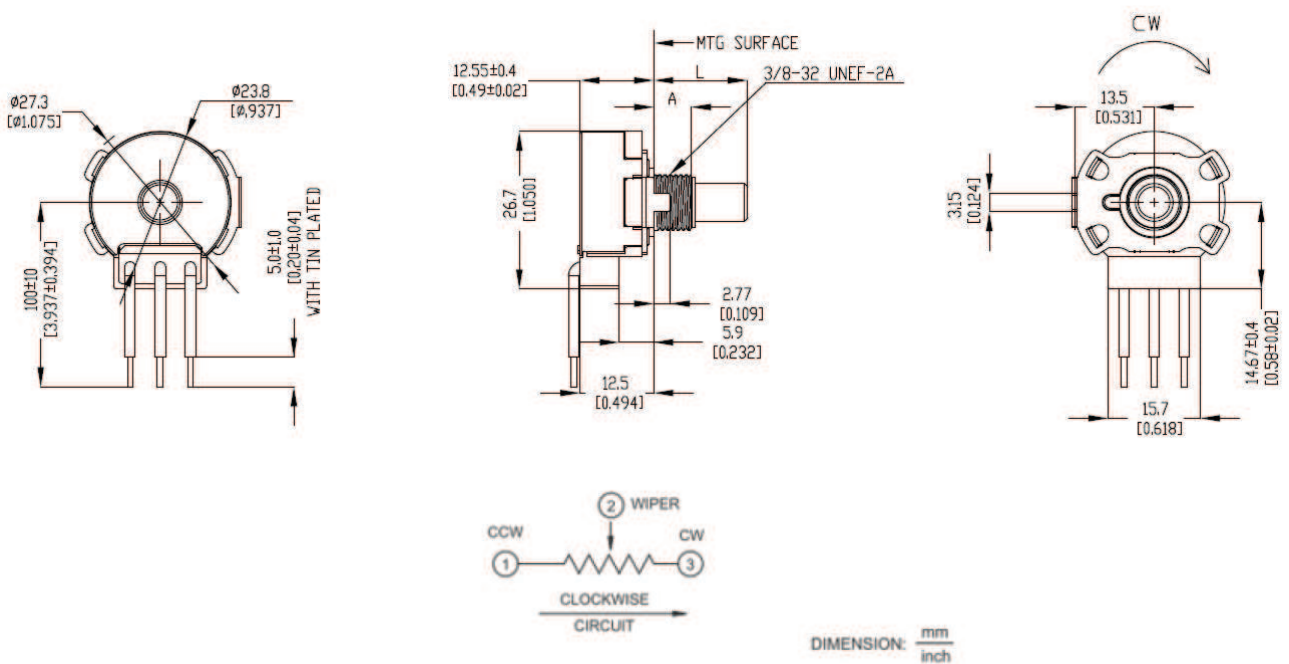


Electrical and Mechanical Specifications

Series 287 Metal Shaft, Bushing Mount, Printed Circuit "X" Type Terminals

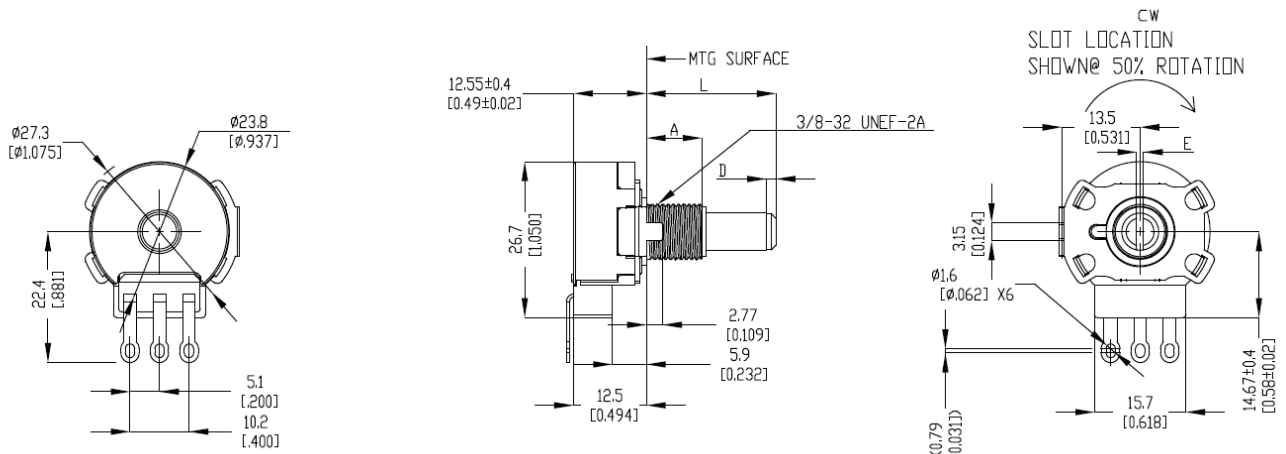


Series 287 Metal Shaft, Bushing Mount, Wire Lead "C" Type Terminals



Electrical and Mechanical Specifications

Series 287 Metal Shaft, Bushing Mount, Solder Lug "T" Type Terminals



Series 287 Metal Shaft, Split Lock Bushing Mount, Solder Lug "T" Type Terminals

