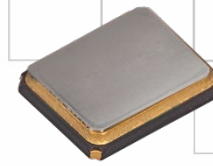


Model 403W

IoT Enhanced Quartz Crystal

Features

- Optimized Design for Low Plating Capacitance and ESR
- Improves Start-Up and Power Savings for Low Energy Applications
- Hermetic Ceramic Surface Mount Package
- Fundamental and 3rd Overtone Crystal Design
- Frequency Range 10 – 54MHz
- Operating Temperature Range to -40°C to +125°C
- Tape and Reel Packaging, EIA-418



Part Dimensions:
3.2 × 2.5 × 0.80mm • 20.71627mg

Standard Frequencies – see Page 5 for developed frequencies.
* Check with factory for availability of frequencies not listed.

Applications

- Wireless Communications
- Low Power MCUs, SoCs, RF ICs
- M2M Communications
- WiFi, ZigBee, ZigBee RF4CE, Z-Wave
- Bluetooth, Bluetooth Low Energy
- LoRa, LPWAN, 6LowPan, WLAN
- Near Field Communication
- Low Drive Chipsets
- ISM Band Applications

Description

CTS Model 403W incorporates a high Q quartz resonator and has optimized design parameters for Low ESR and Load Capacitance [C_L]. M403W is ideal for supporting commercial and industrial IoT applications using low power MCUs, portable RF communication ICs and low drive chipsets.

Ordering Information

Model	Mode of Oscillation	Frequency Code [MHz]	Tolerance @ +25°C	Temperature Stability	Temperature Range	Load Capacitance	Packaging																																										
403W	F	XXX	3	5	C	D	R																																										
<table border="1"> <thead> <tr> <th>Code</th> <th>Mode</th> </tr> </thead> <tbody> <tr> <td>F</td> <td>Fundamental</td> </tr> </tbody> </table>		Code	Mode	F	Fundamental	<table border="1"> <thead> <tr> <th>Code</th> <th>Tolerance</th> </tr> </thead> <tbody> <tr> <td>1</td> <td>±10ppm</td> </tr> <tr> <td>X</td> <td>±15ppm</td> </tr> <tr> <td>2</td> <td>±20ppm</td> </tr> <tr> <td>Y</td> <td>±25ppm</td> </tr> <tr> <td>3</td> <td>±30ppm</td> </tr> </tbody> </table>		Code	Tolerance	1	±10ppm	X	±15ppm	2	±20ppm	Y	±25ppm	3	±30ppm	<table border="1"> <thead> <tr> <th>Code</th> <th>Temp. Range</th> </tr> </thead> <tbody> <tr> <td>C</td> <td>-20°C to +70°C²</td> </tr> <tr> <td>D</td> <td>-30°C to +85°C²</td> </tr> <tr> <td>I</td> <td>-40°C to +85°C³</td> </tr> <tr> <td>G</td> <td>-40°C to +105°C⁴</td> </tr> <tr> <td>H</td> <td>-40°C to +125°C⁵</td> </tr> </tbody> </table>			Code	Temp. Range	C	-20°C to +70°C ²	D	-30°C to +85°C ²	I	-40°C to +85°C ³	G	-40°C to +105°C ⁴	H	-40°C to +125°C ⁵	<table border="1"> <thead> <tr> <th>Code</th> <th>Packing</th> </tr> </thead> <tbody> <tr> <td>R</td> <td>3k pcs./reel</td> </tr> </tbody> </table>		Code	Packing	R	3k pcs./reel									
Code	Mode																																																
F	Fundamental																																																
Code	Tolerance																																																
1	±10ppm																																																
X	±15ppm																																																
2	±20ppm																																																
Y	±25ppm																																																
3	±30ppm																																																
Code	Temp. Range																																																
C	-20°C to +70°C ²																																																
D	-30°C to +85°C ²																																																
I	-40°C to +85°C ³																																																
G	-40°C to +105°C ⁴																																																
H	-40°C to +125°C ⁵																																																
Code	Packing																																																
R	3k pcs./reel																																																
<table border="1"> <thead> <tr> <th>Code</th> <th>Frequency</th> </tr> </thead> <tbody> <tr> <td colspan="2">Product Frequency Code¹</td> </tr> </tbody> </table>		Code	Frequency	Product Frequency Code ¹		<table border="1"> <thead> <tr> <th>Code</th> <th>Stability</th> <th>Code</th> <th>Stability</th> </tr> </thead> <tbody> <tr> <td>1</td> <td>±10ppm</td> <td>3</td> <td>±30ppm</td> </tr> <tr> <td>X</td> <td>±15ppm</td> <td>5</td> <td>±50ppm</td> </tr> <tr> <td>2</td> <td>±20ppm</td> <td>6</td> <td>±100ppm</td> </tr> <tr> <td>Y</td> <td>±25ppm</td> <td></td> <td></td> </tr> </tbody> </table>		Code	Stability	Code	Stability	1	±10ppm	3	±30ppm	X	±15ppm	5	±50ppm	2	±20ppm	6	±100ppm	Y	±25ppm			<table border="1"> <thead> <tr> <th>Code</th> <th>Capacitance</th> <th>Code</th> <th>Capacitance</th> </tr> </thead> <tbody> <tr> <td>M</td> <td>4pF</td> <td>K</td> <td>8pF</td> </tr> <tr> <td>W</td> <td>5pF</td> <td>J</td> <td>9pF</td> </tr> <tr> <td>T</td> <td>6pF</td> <td>A</td> <td>10pF</td> </tr> <tr> <td>V</td> <td>7pF</td> <td>L</td> <td>12pF</td> </tr> </tbody> </table>		Code	Capacitance	Code	Capacitance	M	4pF	K	8pF	W	5pF	J	9pF	T	6pF	A	10pF	V	7pF	L	12pF
Code	Frequency																																																
Product Frequency Code ¹																																																	
Code	Stability	Code	Stability																																														
1	±10ppm	3	±30ppm																																														
X	±15ppm	5	±50ppm																																														
2	±20ppm	6	±100ppm																																														
Y	±25ppm																																																
Code	Capacitance	Code	Capacitance																																														
M	4pF	K	8pF																																														
W	5pF	J	9pF																																														
T	6pF	A	10pF																																														
V	7pF	L	12pF																																														

Notes:

- 1] Refer to document 016-1454-0, Frequency Code Tables. 3-digits for frequencies <100MHz.
- 2] Available with all stability codes.
- 3] Available with stability codes X, 2, Y, 3, 5 and 6.
- 4] Available with stability codes 3, 5 and 6.
- 5] Available with stability codes 5 and 6. Contact factory for availability.

**Not all performance combinations and frequencies may be available.
Contact your local CTS Representative or CTS Customer Service for availability.**

This product is specified for use only in standard commercial applications. Supplier disclaims all express and implied warranties and liability in connection with any use of this product in any non-commercial applications or in any application that may expose the product to conditions that are outside of the tolerances provided in its specification.



Electrical Specifications

Operating Conditions

PARAMETER	SYMBOL	CONDITIONS	MIN	TYP	MAX	UNIT
Operating Temperature	T _A	-	-20		+70	°C
			-30		+85	
			-40	+25	+85	
			-40		+105	
			-40		+125	
Storage Temperature	T _{STG}	-	-55	-	+125	°C

Frequency Stability

PARAMETER	SYMBOL	CONDITIONS	MIN	TYP	MAX	UNIT
Frequency Range	f ₀	-		10 - 54		MHz
Frequency Tolerance	Δf/f ₀	@ +25°C		10, 15, 20, 25 or 30		±ppm
Frequency Stability	Δf/f ₂₅	Referenced to +25°C reading		10, 15, 20, 25, 30, 50 or 100		±ppm
Aging	Δf/f ₀	Typical per year @ +25°C	-3	±2	3	ppm

Crystal Parameters

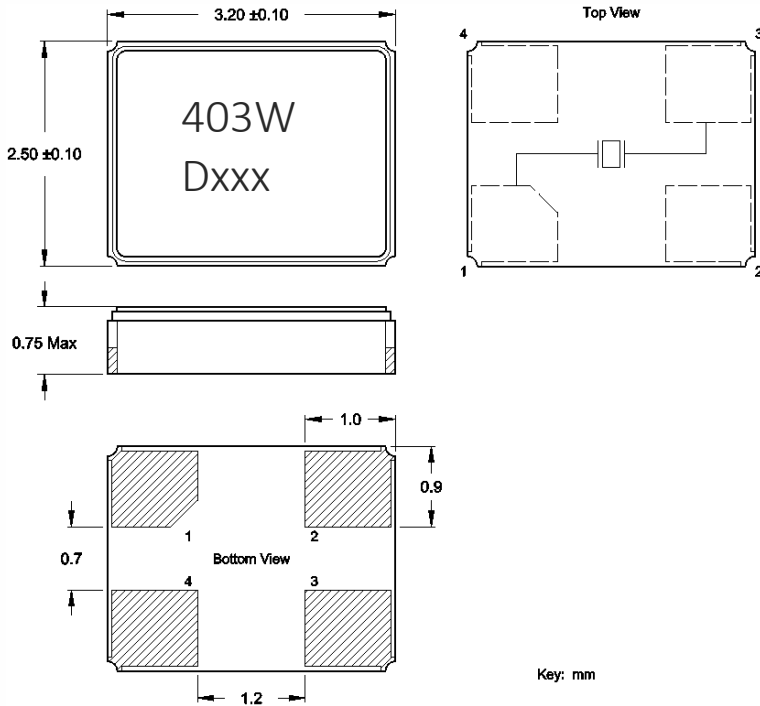
PARAMETER	SYMBOL	CONDITIONS	MIN	TYP	MAX	UNIT
Operating Mode	-	-		Fundamental		-
Crystal Cut	-	-		AT-Cut Strip		-
Load Capacitance	C _L	-		See Ordering Information		pF
Shunt Capacitance	C ₀	-	-	1.0	<3.0	pF
Series Resistance						
Fundamental	R ₁	10MHz - <12MHz	-	100	150	Ω
		12MHz - <16MHz	-	60	100	
		16MHz - <20MHz	-	40	70	
		20MHz - <30MHz	-	25	50	
		30MHz - <40MHz	-	20	40	
40MHz - 54MHz	-	15	35			
Drive Level	DL	-	-	10	100	μW
Insulation Resistance	R _i	+100Vdc ±15Vdc	500	-	-	MΩ

Δf/f₀ - Frequency deviation referenced to nominal frequency.

Δf/f₂₅ - Frequency deviation over operating temperature range, referenced to +25°C frequency.

Mechanical Specifications

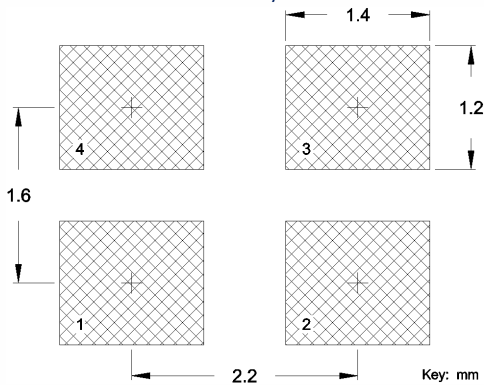
Package Drawing



Marking Information

1. 403W – CTS model.
2. D – Date Code. See Table I for codes.
3. xxx – Frequency Code, 3-digits for frequencies below 100MHz.
[See document 016-1454-0, Frequency Code Tables.]

Recommended Pad Layout



Notes

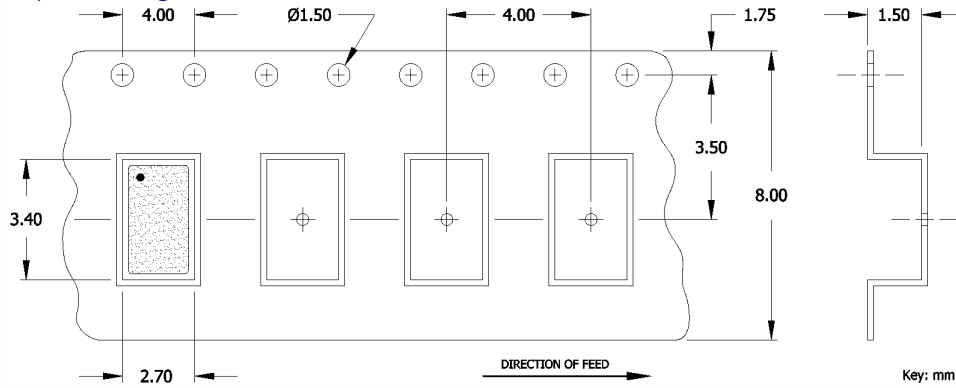
1. JEDEC termination code (e4). Barrier-plating is nickel [Ni] with gold [Au] flash plate.
2. Terminations #2, #4 and the metal lid are connected internally. End user may connect these pins to circuit ground for EMI suppression.
3. Due to package variability, the pad chamfer on the bottom could be located on Pin 1 in a given lot. Layout orientation should be based on the top view [marking side], as indicated in package drawing. The chamfer location does not affect the electrical performance of the device.
4. Reflow conditions per JEDEC J-STD-020; +260°C maximum, 20 seconds.
5. MSL = 1.

Table I - Date Code

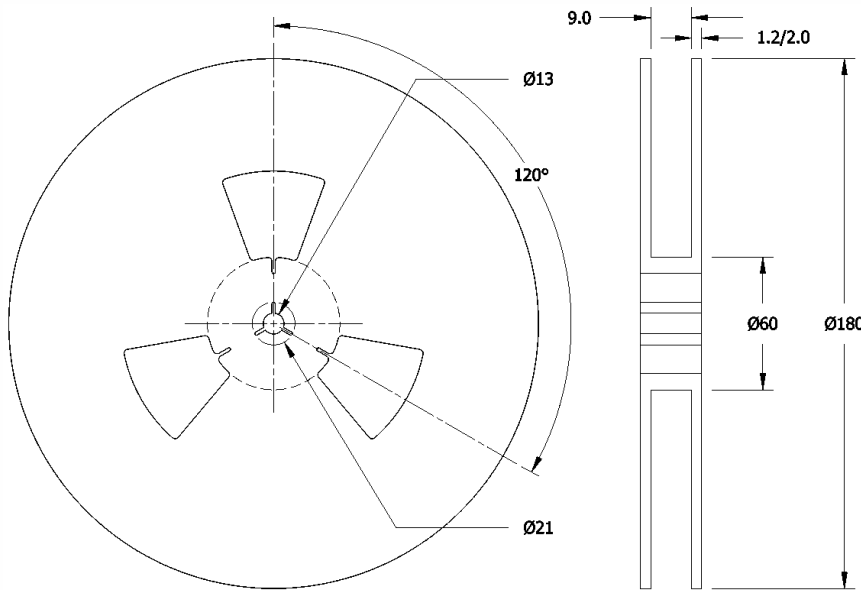
					MONTH											
YEAR					JAN	FEB	MAR	APR	MAY	JUN	JUL	AUG	SEP	OCT	NOV	DEC
2001	2005	2009	2013	2017	A	B	C	D	E	F	G	H	J	K	L	M
2002	2006	2010	2014	2018	N	P	Q	R	S	T	U	V	W	X	Y	Z
2003	2007	2011	2015	2019	a	b	c	d	e	f	g	h	j	k	l	m
2004	2008	2012	2016	2020	n	p	q	r	s	t	u	v	w	x	y	z

Packaging - Tape and Reel

Tape Drawing



Reel Drawing



Notes

1. Device quantity is 1k pieces minimum and 3k pieces maximum per 180mm reel.
2. Complete CTS part number, frequency value, date code and manufacturing site code information must appear on reel and carton labels.



Addendum

Common Frequencies and Frequency Codes – MHz

Common Wireless Frequencies		Additional Frequencies					
FREQUENCY	FREQUENCY CODE	FREQUENCY	FREQUENCY CODE	FREQUENCY	FREQUENCY CODE	FREQUENCY	FREQUENCY CODE
12.000000	120	10.000000	100	19.440000	194	30.400000	304
13.560000	13C	11.059200	111	19.660800	19B	30.720000	307
16.000000	160	12.288000	122	19.680000	196	31.250000	312
19.200000	192	12.500000	125	20.480000	204	32.768000	327
20.000000	200	12.800000	128	20.736000	207	33.000000	330
24.000000	240	13.000000	130	22.118400	221	33.330000	333
25.000000	250	13.500000	135	22.579200	225	33.333000	33E
26.000000	260	13.553750	13B	24.305000	243	33.333300	33A
27.120000	271	13.824000	138	24.545400	24F	33.868800	338
30.000000	300	14.318180	143	24.545454	24G	35.328000	353
32.000000	320	14.400000	144	24.553500	24B	36.000000	360
37.400000	374	14.745600	147	24.576000	24C	38.000000	380
38.400000	384	15.360000	153	25.000625	25A	38.880000	388
40.000000	400	16.367600	16E	26.041660	26F	39.062500	39A
48.000000	480	16.384000	163	27.000000	270	41.600000	41C
52.000000	520	16.666700	16N	28.224000	282	44.000000	440
		16.800000	168	28.322000	28C	45.000000	450
		16.934400	169	28.375000	283	49.152000	491
		18.000000	180	28.636360	286	50.000000	500
		18.432000	184	29.491200	29B	54.000000	540