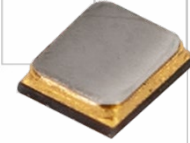


Model 412W

IoT Enhanced Quartz Crystal

Features

- Optimized Design for Low Plating Capacitance and ESR
- Improves Start-Up and Power Savings for Low Energy Applications
- Hermetic Ceramic Surface Mount Package
- Fundamental Crystal Design
- Frequency Range 32 – 80MHz
- Operating Temperature Range to -40°C to +125°C
- Tape and Reel Packaging, EIA-418



Part Dimensions:
1.2 × 1.0 × 0.35mm • 1.530222mg

Standard Frequencies – see Page 5 for developed frequencies.
* Check with factory for availability of frequencies not listed.

Applications

- Wireless Communications
- Low Power MCUs, SoCs, RF ICs
- M2M Communications
- WiFi, ZigBee, ZigBee RF4CE, Z-Wave
- Bluetooth, Bluetooth Low Energy
- LoRa, LPWAN, 6LowPan, WLAN
- Near Field Communication
- Low Drive Chipsets
- ISM Band Applications

Description

CTS Model 412W incorporates a high Q quartz resonator and has optimized design parameters for Low ESR and Load Capacitance [C_L]. M412W is ideal for supporting commercial and industrial IoT applications using low power MCUs, portable RF communication ICs and low drive chipsets.

Ordering Information

Model	Mode of Oscillation	Frequency Code [MHz]	Tolerance @ +25°C	Temperature Stability	Temperature Range	Load Capacitance	Packaging
412W	F	XXX	3	5	C	D	R
	Code Mode F Fundamental		Code Tolerance T ±7ppm 1 ±10ppm X ±15ppm 2 ±20ppm Y ±25ppm 3 ±30ppm		Code Temp. Range C -20°C to +70°C ² D -30°C to +85°C ² I -40°C to +85°C ³ G -40°C to +105°C ⁴ H -40°C to +125°C ⁵		Code Packing R 3k pcs./reel
		Code Frequency Product Frequency Code ¹		Code Stability Code Stability 1 ±10ppm 3 ±30ppm X ±15ppm 5 ±50ppm 2 ±20ppm 6 ±100ppm Y ±25ppm		Code Capacitance Code Capacitance M 4pF K 8pF W 5pF J 9pF T 6pF A 10pF V 7pF	

Notes:

- 1] Refer to document 016-1454-0, Frequency Code Tables. 3-digits for frequencies <100MHz.
- 2] Available with all stability codes.
- 3] Available with stability codes X, 2, Y, 3, 5 and 6.
- 4] Available with stability codes 3, 5 and 6.
- 5] Available with stability codes 5 and 6. Contact factory for availability.

**Not all performance combinations and frequencies may be available.
Contact your local CTS Representative or CTS Customer Service for availability.**

This product is specified for use only in standard commercial applications. Supplier disclaims all express and implied warranties and liability in connection with any use of this product in any non-commercial applications or in any application that may expose the product to conditions that are outside of the tolerances provided in its specification.



Electrical Specifications

Operating Conditions

PARAMETER	SYMBOL	CONDITIONS	MIN	TYP	MAX	UNIT
Operating Temperature	T_A	-	-20		+70	
			-30		+85	
			-40	+25	+85	°C
			-40		+105	
			-40		+125	
Storage Temperature	T_{STG}	-	-40	-	+125	°C

Frequency Stability

PARAMETER	SYMBOL	CONDITIONS	MIN	TYP	MAX	UNIT
Frequency Range	f_0	-		32 - 80		MHz
Frequency Tolerance	$\Delta f/f_0$	@ +25°C		7, 10, 15, 20, 25 or 30		±ppm
Frequency Stability	$\Delta f/f_{25}$	Referenced to +25°C reading		10, 15, 20, 25, 30, 50 or 100		±ppm
Aging	$\Delta f/f_0$	Typical per year @ +25°C	-3	±2	3	ppm

Crystal Parameters

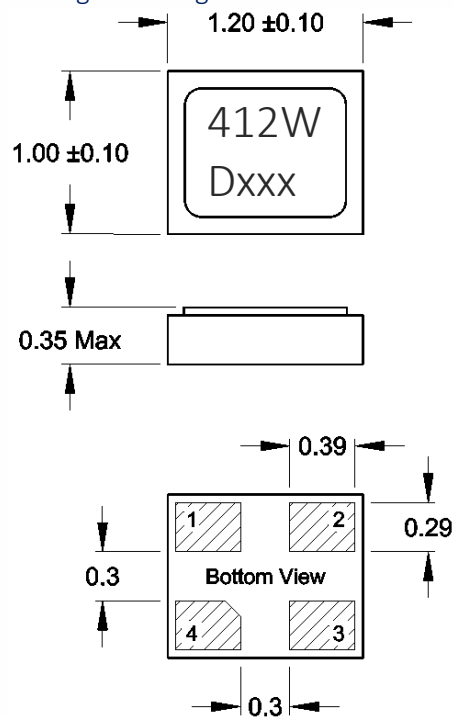
PARAMETER	SYMBOL	CONDITIONS	MIN	TYP	MAX	UNIT
Operating Mode	-	-		Fundamental		-
Crystal Cut	-	-		AT-Cut Strip		-
Load Capacitance	C_L	-		See Ordering Information		pF
Shunt Capacitance	C_0	-	-	1.0	<3.0	pF
Series Resistance						
Fundamental	R_1	32MHz - <33MHz	-	45	100	Ω
		33MHz - <37MHz	-	35	80	
		37MHz - 80MHz	-	25	60	
Drive Level	DL	-	-	10	100	μW
Insulation Resistance	R_i	+100Vdc ±15Vdc	500	-	-	MΩ

$\Delta f/f_0$ - Frequency deviation referenced to nominal frequency.

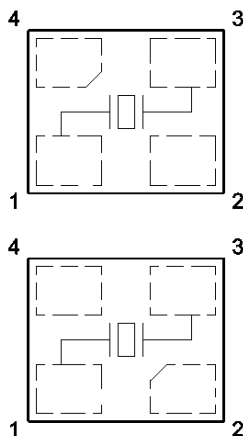
$\Delta f/f_{25}$ - Frequency deviation over operating temperature range, referenced to +25°C frequency.

Mechanical Specifications

Package Drawing



Top View

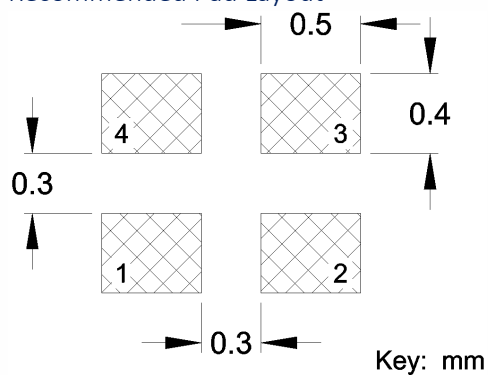


Key: mm

Marking Information

1. 412W – CTS model.
2. D – Date Code. See Table I for codes.
3. xxx – Frequency Code, 3-digits for frequencies below 100MHz.
[See document 016-1454-0, Frequency Code Tables.]

Recommended Pad Layout



Notes

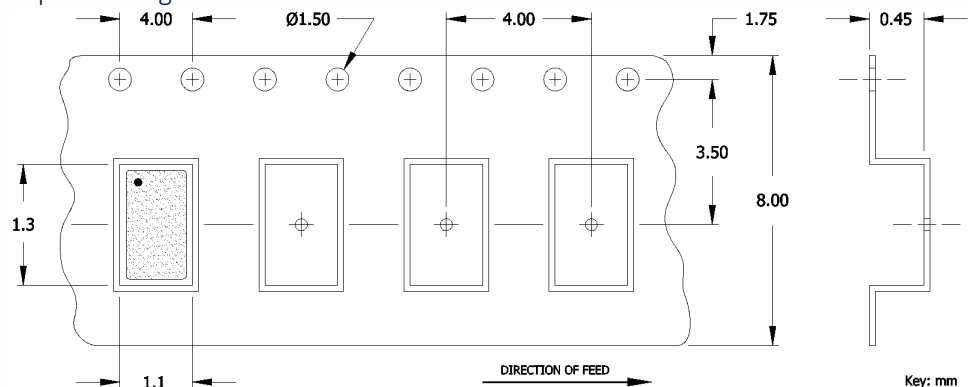
1. JEDEC termination code (e4). Barrier-plating is nickel [Ni] with gold [Au] flash plate.
2. Terminations #2, #4 and the metal lid are connected internally. End user may connect these pins to circuit ground for EMI suppression.
3. Due to package variability, the pad chamfer on the bottom could be located on Pin 2 or 4 in a given lot. Layout orientation should be based on the top view [marking side], as indicated in package drawing. The chamfer location does not affect the electrical performance of the device.
4. Reflow conditions per JEDEC J-STD-020; +260°C maximum, 20 seconds.
5. MSL = 1.

Table I - Date Code

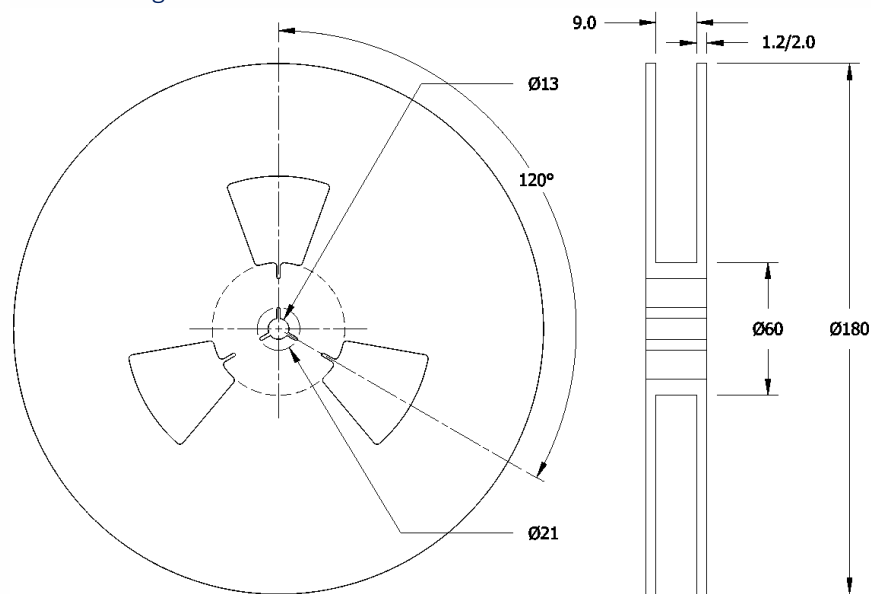
YEAR \ MONTH					JAN	FEB	MAR	APR	MAY	JUN	JUL	AUG	SEP	OCT	NOV	DEC
					A	B	C	D	E	F	G	H	J	K	L	M
2001	2005	2009	2013	2017	N	P	Q	R	S	T	U	V	W	X	Y	Z
2002	2006	2010	2014	2018	a	b	c	d	e	f	g	h	j	k	l	m
2003	2007	2011	2015	2019	n	p	q	r	s	t	u	v	w	x	y	z
2004	2008	2012	2016	2020												

Packaging - Tape and Reel

Tape Drawing



Reel Drawing



Notes

1. Device quantity is 1k pieces minimum and 3k pieces maximum per 180mm reel.
2. Complete CTS part number, frequency value, date code and manufacturing site code information must appear on reel and carton labels.



Addendum

Common Frequencies and Frequency Codes – MHz

Common Wireless Frequencies		Additional Frequencies					
FREQUENCY	FREQUENCY CODE	FREQUENCY	FREQUENCY CODE	FREQUENCY	FREQUENCY CODE	FREQUENCY	FREQUENCY CODE
32.000000	320	32.768000	327				
37.400000	374	33.000000	330				
38.400000	384	33.330000	333				
40.000000	400	33.333000	33E				
48.000000	480	33.333300	33A				
52.000000	520	33.868800	338				
		35.328000	353				
		36.000000	360				
		38.000000	380				
		38.880000	388				
		39.062500	39A				
		41.600000	41C				
		44.000000	440				
		45.000000	450				
		49.152000	491				
		50.000000	500				
		54.000000	540				
