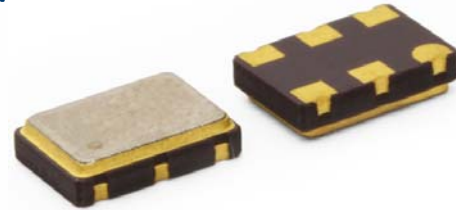


# Model 638

## Ultra Low Jitter LVPECL or LVDS Clock

### Features

- Ceramic Surface Mount Package
- Ultra Low Phase Jitter Performance, 100fs Typical
- Fundamental or 3<sup>rd</sup> Overtone Crystal Design
- Frequency Range 80 – 170MHz \*
- +2.5V or +3.3V Operation
- Output Enable Standard
- Tape and Reel Packaging, EIA-418



Part Dimensions:  
7.0 × 5.0 × 2.0mm • 178.462mg

### Applications

- SerDes
- Storage Area Networking
- Broadband Access
- SONET/SDH/DWDM
- PON
- Ethernet/GbE/SyncE
- Fiber Channel
- Test and Measurement

Standard Frequencies, 100fs Maximum

- 125.00MHz	- 156.25MHz
- 155.52MHz	- 161.1328MHz

\* Check with factory for availability.

### Description

CTS Model 638 is a low cost, high performance clock oscillator supporting differential LVPECL or LVDS outputs. Employing the latest IC technology, M638 has excellent stability and low jitter/phase noise performance.

### Ordering Information

Model	Output Type	Frequency Code [MHz]	Frequency Stability	Temperature Range	Supply Voltage	Packaging
638	P	XXX or XXXX	3	I	3	T

Code	Output
P	LVPECL - Pin 1 Enable
L	LVDS - Pin 1 Enable
E	LVPECL - Pin 2 Enable
V	LVDS - Pin 2 Enable

Code	Stability
6	±20ppm <sup>2</sup>
5	±25ppm
3	±50ppm
2	±100ppm

Code	Voltage
2	+2.5Vdc
3	+3.3Vdc

Code	Frequency
Product Frequency Code <sup>1</sup>	

Code	Temp. Range
A	-10°C to +60°C
C	-20°C to +70°C
I	-40°C to +85°C

Code	Packing
T	1k pcs./reel

Notes:

- 1) Refer to document 016-1454-0, Frequency Code Tables. 3-digits for frequencies <100MHz, 4-digits for frequencies 100MHz or greater.
- 2) Consult factory for availability of 6I Stability/Temperature combination.

**Not all performance combinations and frequencies may be available.  
Contact your local CTS Representative or CTS Customer Service for availability.**



## Electrical Specifications

## Operating Conditions

PARAMETER	SYMBOL	CONDITIONS	MIN	TYP	MAX	UNIT
Maximum Supply Voltage	$V_{CC}$	-	-0.5	-	5.0	V
Supply Voltage	$V_{CC}$	$\pm 5\%$	2.375 3.135	2.5 3.3	2.625 3.465	V
<b>Supply Current</b>						
LVPECL	$I_{CC}$	Maximum Load	-	55	88	mA
LVDS			-	45	66	
Operating Temperature	$T_A$	-	-20 -40	+25	+70 +85	$^{\circ}\text{C}$
Storage Temperature	$T_{STG}$	-	-40	-	+125	$^{\circ}\text{C}$

## Frequency Stability

PARAMETER	SYMBOL	CONDITIONS	MIN	TYP	MAX	UNIT
<b>Frequency Range</b>						
LVPECL	$f_0$	-		80 - 170		MHz
LVDS				80 - 170		
Frequency Stability [Note 1]	$\Delta f/f_0$	-		20, 25, 50 or 100		$\pm\text{ppm}$
Aging	$\Delta f/f_{25}$	First Year @ +25 $^{\circ}\text{C}$ , nominal $V_{CC}$	-3	-	3	ppm

1.] Inclusive of initial tolerance at time of shipment, changes in supply voltage, load, temperature and 1st year aging.

## Output Parameters

PARAMETER	SYMBOL	CONDITIONS	MIN	TYP	MAX	UNIT
Output Type	-	-		LVPECL		-
Output Load	$R_L$	Terminated to $V_{CC} - 2.0\text{V}$	-	50	-	Ohms
Output Voltage Levels	$V_{OH}$	PECL Load, -20 $^{\circ}\text{C}$ to +70 $^{\circ}\text{C}$	$V_{CC} - 1.025$	-	$V_{CC} - 0.880$	V
	$V_{OL}$		$V_{CC} - 1.810$	-	$V_{CC} - 1.620$	
	$V_{OH}$	PECL Load, -40 $^{\circ}\text{C}$ to +85 $^{\circ}\text{C}$	$V_{CC} - 1.085$	-	$V_{CC} - 0.880$	V
	$V_{OL}$		$V_{CC} - 1.830$	-	$V_{CC} - 1.555$	
Output Duty Cycle	SYM	@ $V_{CC} - 1.3\text{V}$	45	-	55	%
Rise and Fall Time	$T_R, T_F$	@ 20%/80% Levels, $R_L = 50\text{ Ohms}$	-	0.3	0.7	ns
<b>LVDS Output Parameters</b>						
Output Type	-	-		LVDS		-
Output Load	$R_L$	Between Outputs	-	100	-	Ohms
Output Voltage Levels	$V_{OH}$	LVDS Load	-	1.43	1.60	V
	$V_{OL}$		0.90	1.10	-	
Output Duty Cycle	SYM	@ 1.25V	45	-	55	%
Differential Output Voltage	$V_{OD}$	$R_L = 100\text{ Ohms}$	247	330	454	mV
Offset Voltage	$V_{OS}$	LVDS Load	1.125	1.25	1.375	V
Rise and Fall Time	$T_R, T_F$	@ 20%/80% Levels, $R_L = 100\text{ Ohms}$	-	0.4	0.7	ns

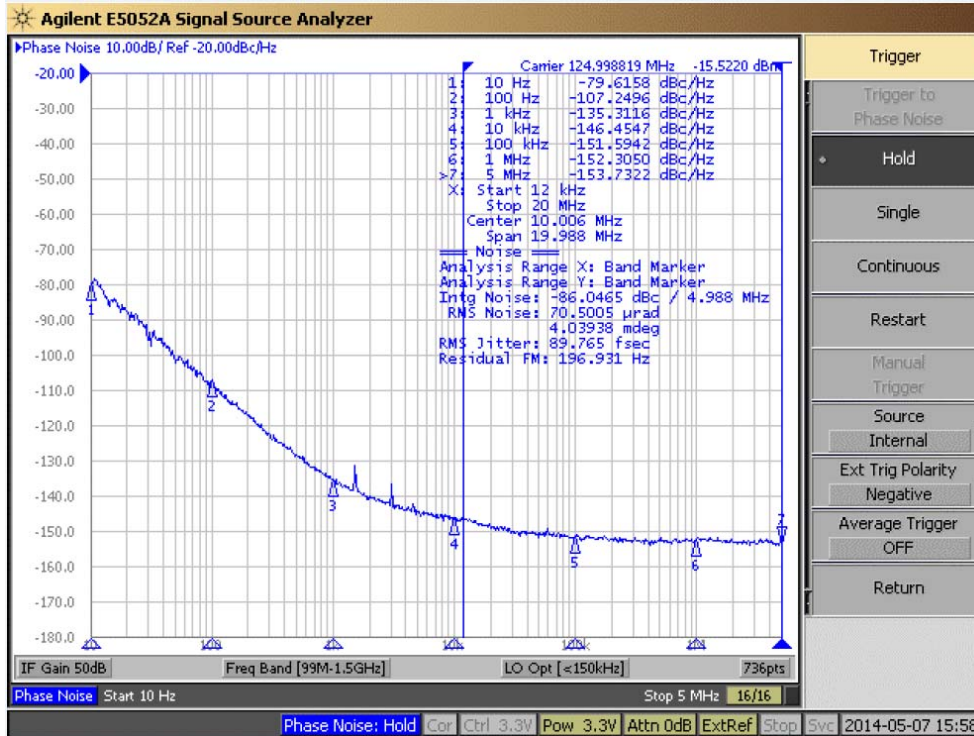


## Electrical Specifications

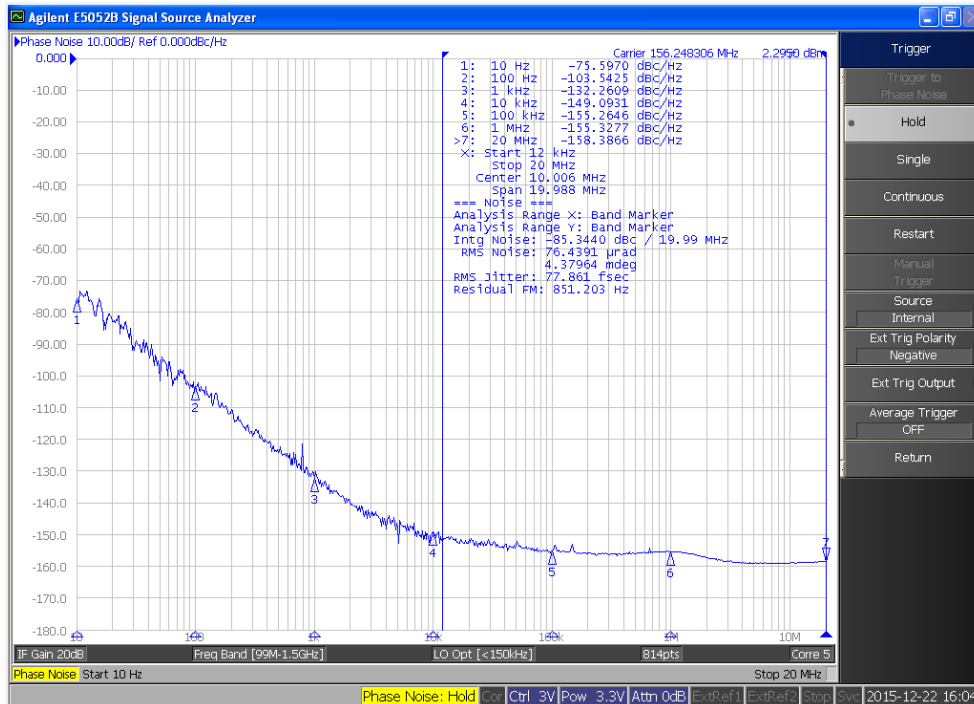
### Performance Data

#### Phase Noise [typical]

125.00MHz, LVPECL,  $V_{CC} = 3.3V$ ,  $T_A = +25^\circ C$



156.25MHz, LVPECL,  $V_{CC} = 3.3V$ ,  $T_A = +25^\circ C$

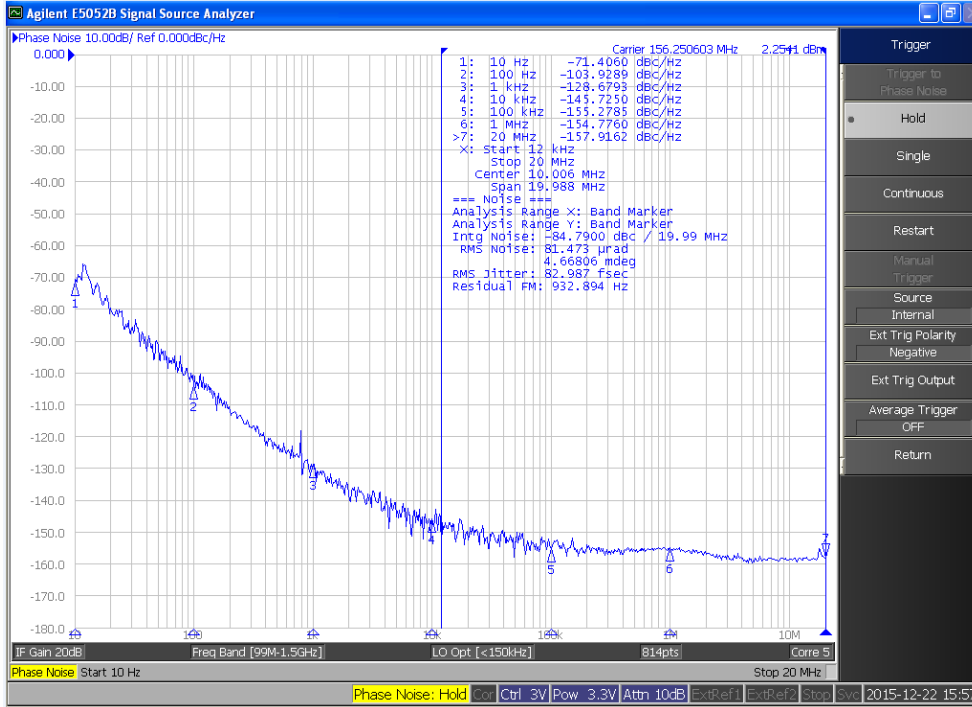


## Electrical Specifications

### Performance Data

#### Phase Noise [typical]

156.25MHz, LVDS,  $V_{CC} = 3.3V$ ,  $T_A = +25^\circ C$



#### Phase Noise Tabulated

Typical,  $V_{CC} = 3.3V$ ,  $T_A = +25^\circ C$

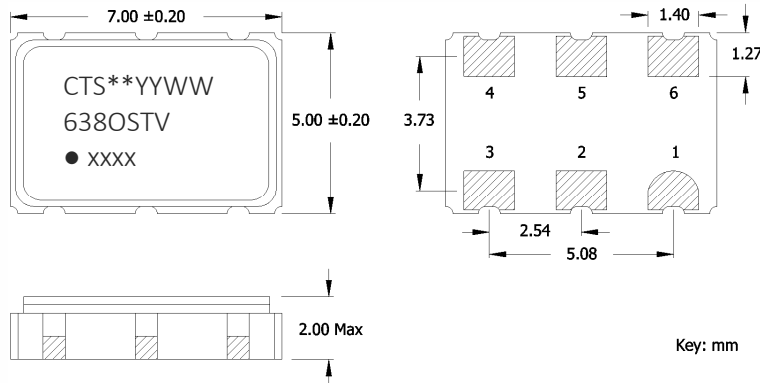
PARAMETER	SYMBOL	CONDITIONS	TYP	UNIT
<b>LVPECL @ 125.00MHz</b>				
Phase Noise		Single Side Band		
		@ 10Hz	-79.62	
		@ 100Hz	-107.25	
		@ 1kHz	-135.31	
		@ 10kHz	-146.45	dBc/Hz
		@ 100kHz	-151.59	
		@ 1MHz	-152.31	
	@ 5MHz	-153.73		
Phase Jitter, RMS	tjrms	Integration Bandwidth 12kHz - 20MHz	89.77	fs

PARAMETER	SYMBOL	CONDITIONS	TYP	UNIT
<b>LVPECL @ 156.25MHz</b>				
Phase Noise		Single Side Band		
		@ 10Hz	-75.60	
		@ 100Hz	-103.54	
		@ 1kHz	-132.26	
		@ 10kHz	-149.09	dBc/Hz
		@ 100kHz	-155.26	
		@ 1MHz	-155.33	
	@ 20MHz	-158.39		
Phase Jitter, RMS	tjrms	Integration Bandwidth 12kHz - 20MHz	77.86	fs

PARAMETER	SYMBOL	CONDITIONS	TYP	UNIT
<b>LVDS @ 156.25MHz</b>				
Phase Noise		Single Side Band		
		@ 10Hz	-71.41	
		@ 100Hz	-103.93	
		@ 1kHz	-128.68	
		@ 10kHz	-145.73	dBc/Hz
		@ 100kHz	-155.28	
		@ 1MHz	-154.78	
	@ 20MHz	-157.92		
Phase Jitter, RMS	tjrms	Integration Bandwidth 12kHz - 20MHz	82.99	fs

## Mechanical Specifications

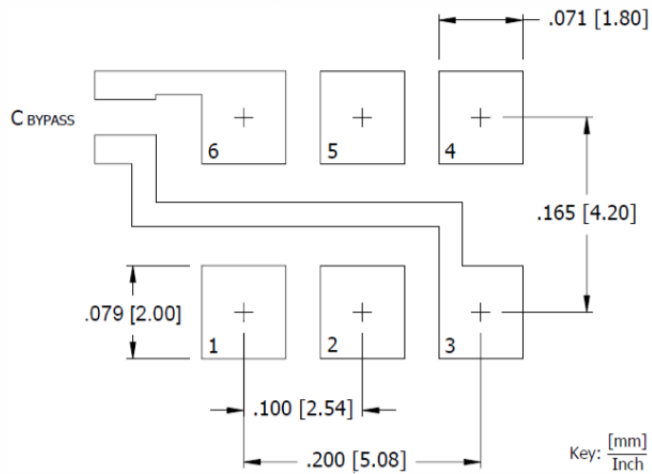
### Package Drawing



### Marking Information

- \*\* - Manufacturing Site Code.
- YYWW – Date Code; YY – year, WW – week.
- O – Output Type; P or E = LVPECL, L or V = LVDS.
- ST – Frequency Stability/Temperature Code.  
[Refer to Ordering Information]
- V – Voltage Code; 3 = 3.3V, 2 = 2.5V.
- xxxx – Frequency Code.  
3-digits, frequencies below 100MHz  
4-digits, frequencies 100MHz or greater  
[See document 016-1454-0, Frequency Code Tables.]

### Recommended Pad Layout



### Notes

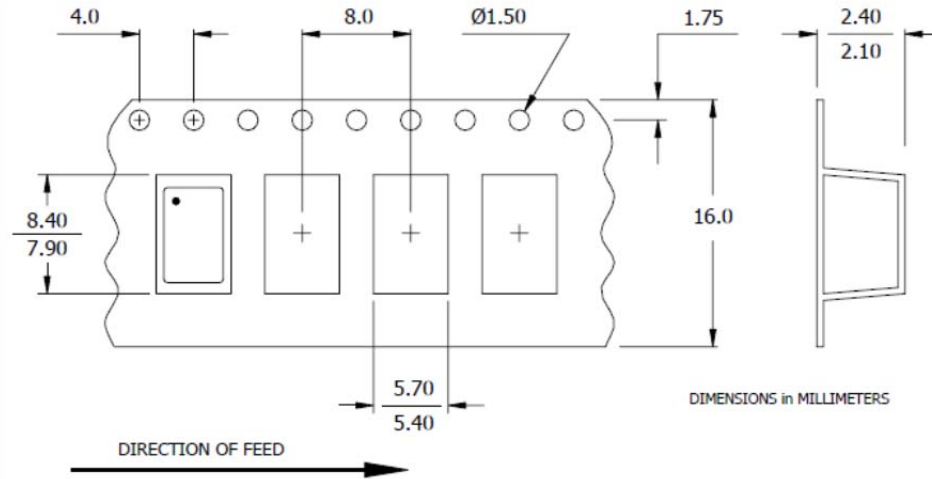
- JEDEC termination code (e4). Barrier-plating is nickel [Ni] with gold [Au] flash plate.
- Reflow conditions per JEDEC J-STD-020; +260°C maximum, 20 seconds.
- MSL = 1.

### Pin Assignments

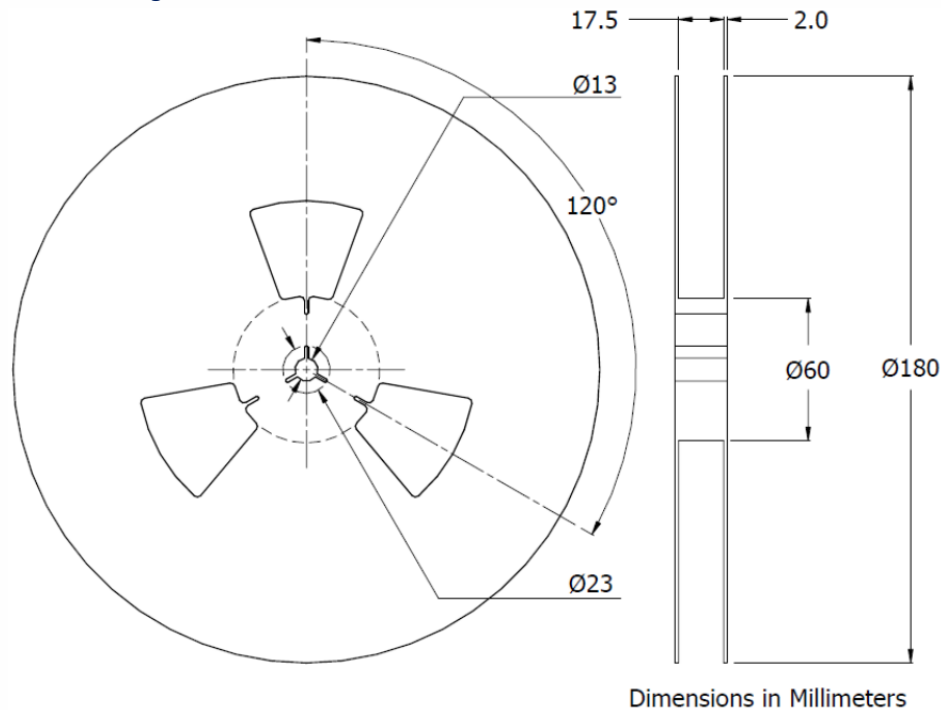
Pin	Symbol	Function
1	EOH or N.C.	Enable [std] or No Connect
2	N.C. or EOH	No Connect or Enable [opt]
3	GND	Circuit & Package Ground
4	Output	RF Output
5	Output	Complimentary RF Output
6	V <sub>CC</sub>	Supply Voltage

### Packaging - Tape and Reel

#### Tape Drawing



#### Reel Drawing



#### Notes

1. Device quantity is 1k pieces maximum per 180mm reel.
2. Complete CTS part number, frequency value and date code information must appear on reel and carton labels.