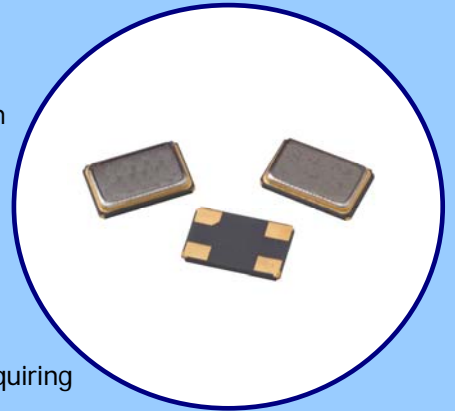




FEATURES

- Standard 5.0mm x 3.2mm Seam Weld Package
- Fundamental Design
- Frequency Range 8 – 40 MHz Fundamental, 24 – 120 MHz 3rd Overtone
- Frequency Tolerance; ± 10 ppm, ± 15 ppm, ± 20 ppm, ± 30 ppm and ± 50 ppm
- Frequency Stability, reference Ordering Information
- Operating Temperature, -40°C to +105°C standard
- Tape & Reel Packaging Standard, EIA-481



APPLICATIONS

Model HS534 is a low cost crystal developed for use in industrial applications requiring extended temperature ranges.

ORDERING INFORMATION

HS534

FREQUENCY	
Product Frequency Code [Refer to document 016-1454-0.]	

MODE OF OSCILLATION	
F = Fundamental	
T = 3 rd Overtone	

FREQUENCY TOLERANCE @ 25°C	
1 = ± 10 ppm	3 = ± 30 ppm
X = ± 15 ppm	5 = ± 50 ppm
2 = ± 20 ppm	

STABILITY TOLERANCE	
Over Operating Temperature Range (Referenced to 25°C Reading)	
X = ± 15 ppm	5 = ± 50 ppm
2 = ± 20 ppm	6 = ± 100 ppm
3 = ± 30 ppm	

PACKAGING OPTIONS	
T - 1k pcs./reel	
R - 3k pcs./reel	

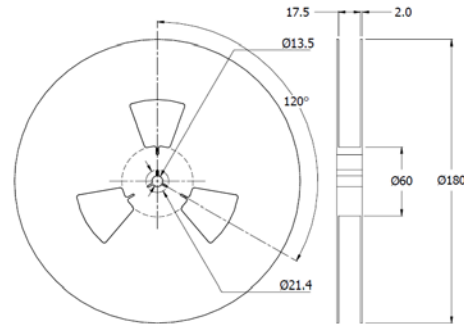
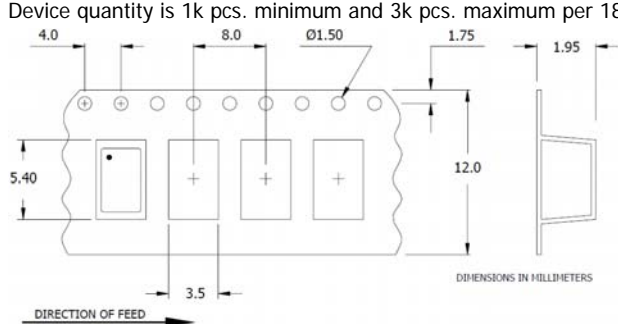
LOAD CAPACITANCE	
A = 10 pF	G = 30 pF
B = 13 pF	H = 32 pF
C = 16 pF	J = 9 pF
D = 18 pF	K = 8 pF
E = 20 pF	L = 12 pF
F = 24 pF	S = Series

TEMPERATURE RANGE OPTIONS	
I = -40°C to +85°C	
G = -40°C to +105°C [Stability Code 5 & 6]	
H = -40°C to +125°C [Stability Code 6]	

Not all performance combinations and frequencies may be available.
Contact your local CTS Representative or CTS Customer Service for availability.

PACKAGING INFORMATION [Reference]

Device quantity is 1k pcs. minimum and 3k pcs. maximum per 180mm reel.



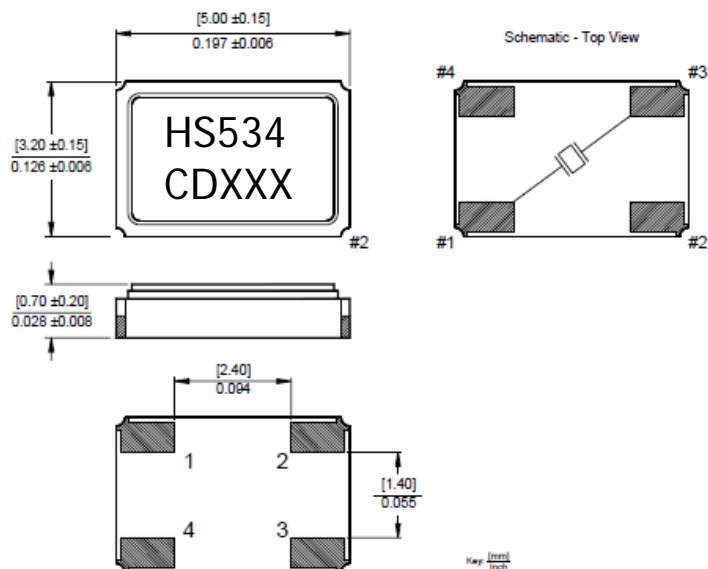
ELECTRICAL CHARACTERISTICS

PARAMETER		VALUE			
ELECTRICAL PARAMETERS	Operating Mode	Fundamental		3 rd Overtone	
	Frequency Range	8.0 MHz to 40.0 MHz		24.0 MHz to 120.0 MHz	
	Crystal Cut	AT-Cut			
	Frequency Tolerance @ 25°C	±10ppm, ±15ppm, ±20 ppm, ±30 ppm, ±50 ppm			
	Frequency Stability Tolerance ¹ [Operating Temperature Range, Referenced to 25°C Reading]	±15 ppm, ±20 ppm, ±30 ppm, ±50 ppm, ±100 ppm			
	Operating Temperature Range ¹	-40°C to +85°C [All Stability Codes] -40°C to +105°C [Stability Code 3, 5, 6] -40°C to +125°C [Stability Code 5, 6]			
	Equivalent Series Resistance	8.000 MHz - 9.999 MHz	150 Ohms maximum	24.000 MHz - 53.999 MHz	150 Ohms maximum
		10.000 MHz - 15.999 MHz	60 Ohms maximum	54.000 MHz - 120.000 MHz	100 Ohms maximum
		16.000 MHz - 40.000 MHz	50 Ohms maximum		
	Load Capacitance or Resonance Mode [See Ordering Information for More Options]	10pF, 12pF, 16pF, Series standard			
	Shunt Capacitance (C ₀)	3.0 pF typical, 5.0 pF maximum			
	Drive Level	10 µW typical, 100 µW maximum			
	Aging @ +25°C	±5 ppm/yr maximum			
	Insulation Resistance [@ DC 100V]	500M Ohms minimum			
Storage Temperature Range	-40°C to +125°C				
Reflow Condition, per JEDEC J-STD-020	+260°C maximum, 10 Seconds maximum				

¹ See Ordering Information.

MECHANICAL SPECIFICATIONS

PACKAGE DRAWING



MARKING INFORMATION

- HS534 - CTS Model Series.
- C - CTS.
- D - Date code. See Table I for codes.
- XXX - Frequency code.
[Reference CTS document 016-1450-0, Frequency Code Tables.]

NOTES

- Complete CTS part number, frequency value, date code and manufacturing site code information must appear on reel and carton labels.
- Termination pads (e4); barrier plating is nickel [Ni] with gold [Au] flash plate.
- Reflow conditions per JEDEC J-STD-020; 260°C maximum, 10 seconds.

SUGGESTED SOLDER PAD GEOMETRY

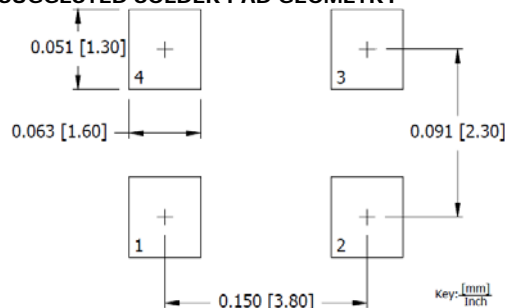


TABLE I - DATE CODE

YEAR		MONTH					JAN	FEB	MAR	APR	MAY	JUN	JUL	AUG	SEP	OCT	NOV	DEC
2001	2005	2009	2013	2017		A	B	C	D	E	F	G	H	J	K	L	M	
2002	2006	2010	2014	2018		N	P	Q	R	S	T	U	V	W	X	Y	Z	
2003	2007	2011	2015	2019		a	b	c	d	e	f	g	h	j	k	l	m	
2004	2008	2012	2016	2020		n	p	q	r	s	t	u	v	w	x	y	z	