

### Features

- Low Loss
- Excellent High Side rejection
- Excellent Return Loss

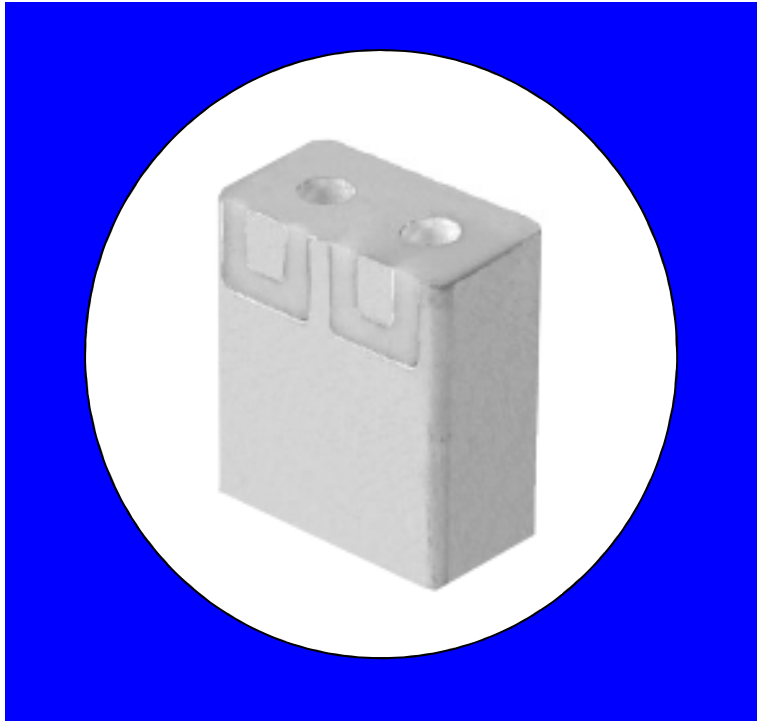
### Description

Surface mount, silver (Ag) coated ceramic filter. Developed for use in commercial and Military GPS applications

Weight: 1.5 grams typical

Material: Filter is composed of a ceramic block plated with Ag.

Filter complies with RoHS standards.



### Electrical Specifications

Parameter	Frequency (MHz)	Typical @ 25°C	Spec. @ 25°C	Spec. @ -40°C to +105°C
Insertion Loss	1570-1581	1.1 dB	1.5 dB max	1.6 dB max
Forward Return Loss	1570-1581	18.0 dB	16.0 dB min	15.0 dB min
Attenuation:	1501	13.0 dB	7.0 dB min	7.0 dB min
Attenuation:	1625	27.0 dB	20.0 dB min	20.0 dB min
Power Rating			1W	1W
Impedance			50Ω	50Ω

Note: Supplier shall test each filter to the critical electrical specifications of the above table. Any subsequent audits may deviate from in value due to measurement repeatability among different test systems. Such deviations shall not exceed the following limits:

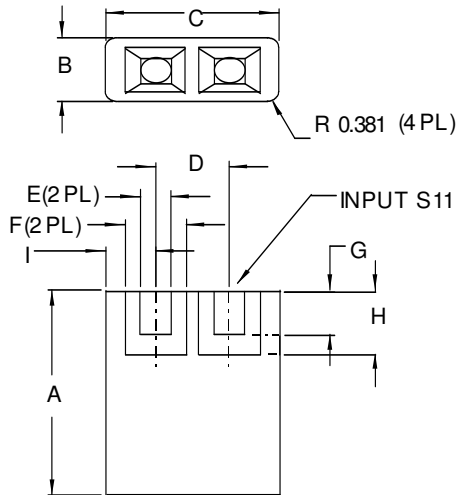
Specification Allowance	
Insertion Loss	0.1 dB
Return Loss	1.0 dB
Stopbands	1.0 dB

\*This product is covered by one or more of the following U.S. and foreign patents including: US 4,692,726;US 4,742,562; US 4,800,348;US 4,829,274;US 5,146,193;EP 0573597;DE 0573597;FR 0573597;JP 508149/92;KR 142171;US 5,162,760;US 5,218,329;US 5,250,916;US 5,327,109;US 5,488,335;CA 2114029;FR 9306297;GB 2273393;JP 3205337;KR 115113;CN 93106228.4;US 5,512,866;EP 0706719;DE 0706719;FR 0706719;GB 0706719;CN 95190359.4;US 5,602,518;US 5,721,520;US 5,745,018;EP 0910875;DE 0910875;DK 0910875;FR 0910875;GB 0910875;IE 0910875;JP 505182/98;KR 10-323013;US 5,994,978;US 6,462,629;CN 00810420.4;US 6,559,735;US 6,650,202;US 6,834,429. Other US and foreign patents pending.

\*CTS Corporation 2006 reserves all copyrights in the layout, design and configuration of the patterns on this product.\*

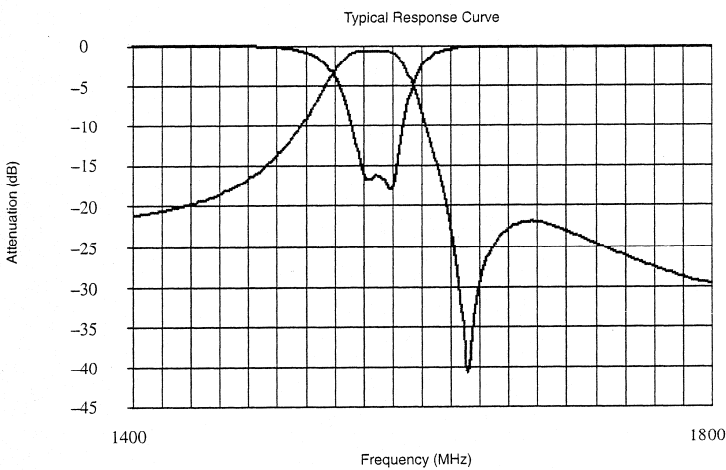
### Mechanical Drawing

Rev 3 – Origin Date: July 11, 2005 – Revision Date: April 9, 2018

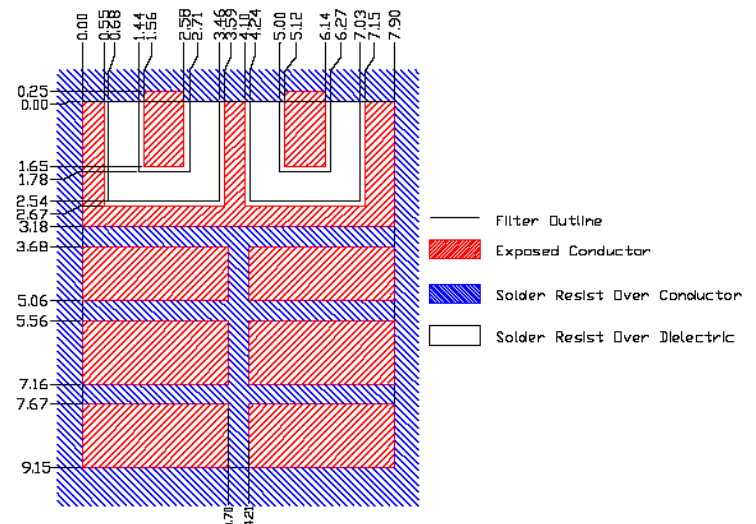


Dim	Nominal (mm)	Tolerance (mm) +/- or max
A	9.15	max
B	4.52	max
C	7.88	max
D	3.560	0.13
E	1.270	0.13
F	2.790	0.13
G	1.780	0.13
H	2.540	0.13
I	2.070	0.23

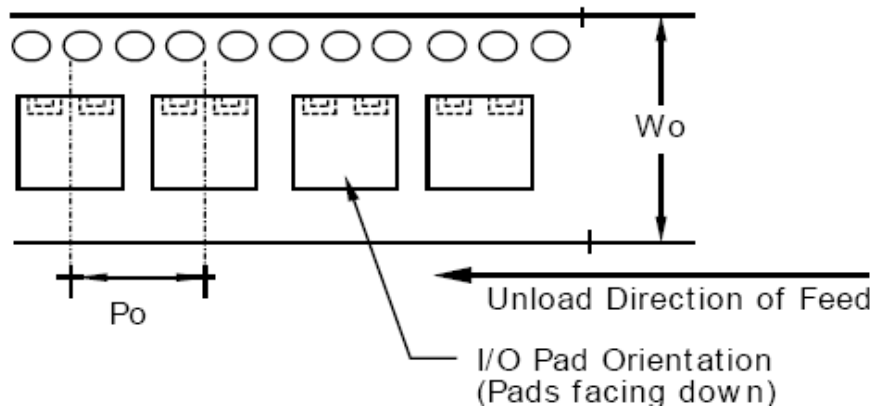
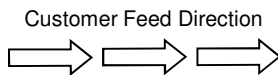
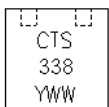
### Electrical response



### PCB Layout



### Packaging and Marking



DIMENSION	UNITS	SPECIFICATION
PITCH, Po	mm	16
WIDTH, Wo	mm	24
REEL DIAMETER	mm	330
REEL WEIGHT	kg	2.0
REEL QUANTITY	ea.	1000