

RLF0070A

<702MHz “Rooftop” Lowpass Filter

Features

- Superior power handling and reliability.
- Directly solders to PCB

Applications

- Wireless Infrastructure applications



Part Dimensions: 14 × 9 × 8 mm • <2 g EST

Description

With low IL, provides additional attenuations to assure compatibility with high-frequency bands.

Electrical Specifications

Parameter	Frequency (MHz)	Typical at 25°C	Spec. at 25°C	Spec. over -40°C to +85°C
Nominal Impedance	-	50 ohms	-	-
Average Input Power	-	-	-	20 Watt max
Peak Input Power	-	-	-	200 Watt max

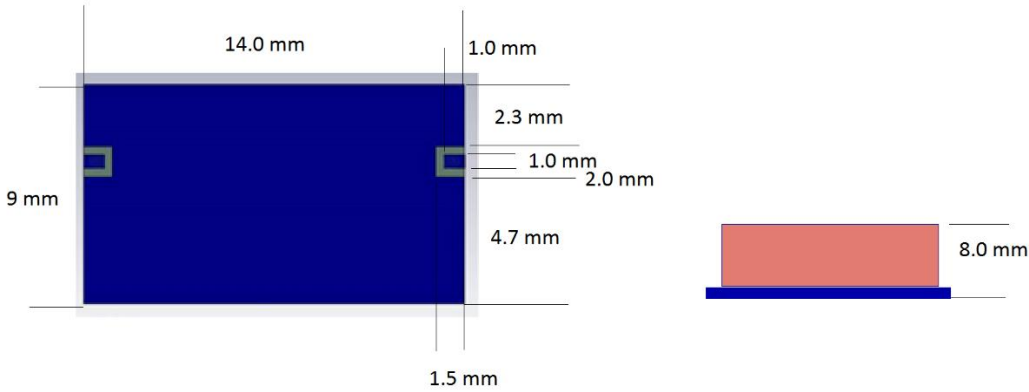
Input-Output Response

Passband Insertion Loss	470 - 702			0.4 dB max
Passband Return Loss	470 - 702			16 dB min
Attenuation:	1100			15 dB min
	1250			30 dB min
	1300 - 4200			40 dB min

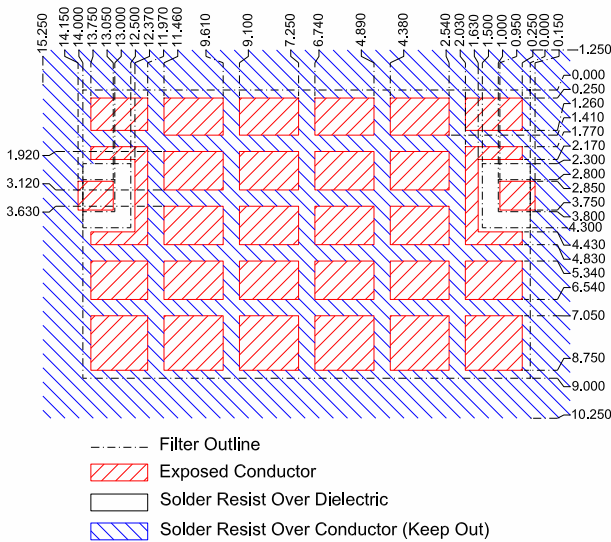
Note: CTS tests each unit to the critical specifications above. Subsequent audits may deviate due to repeatability among different test systems which shall not exceed these allowances.

Specification Allowance	
Insertion Loss	0.1 dB
Return Loss	1.0 dB
Attenuation	1.0 dB

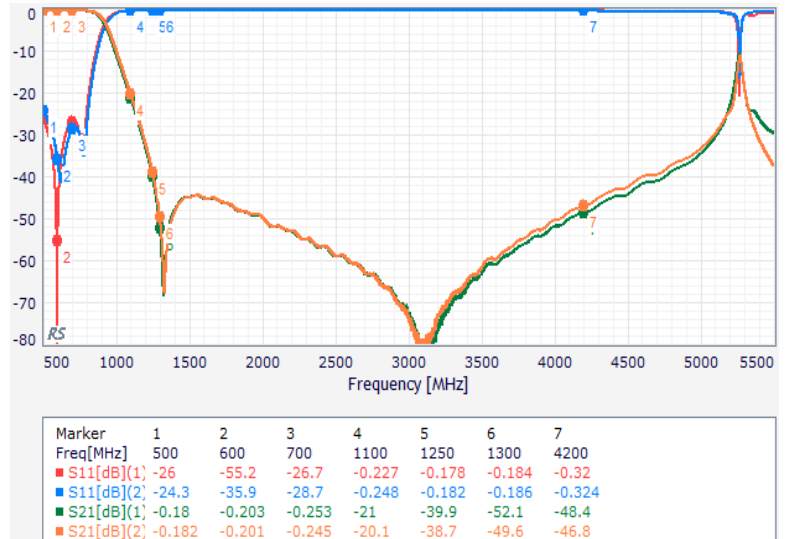
Mechanical Drawing



PCB Layout

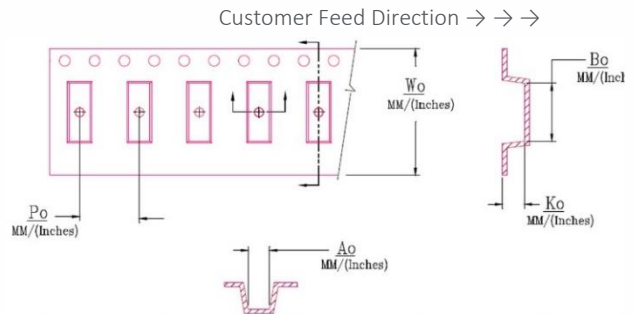


Electrical Response



Packaging and Marking

Dimension	Units	Spec.
Reel Diameter	mm	330
Reel Weight	kg	5.5
Reel Quantity	ea.	500



Product Marking



W _o	A _o	B _o	K _o	P _o
0.945 in	0.370 in	0.567 in	0.287 in	0.630 in
24.0 mm	9.4 mm	14.4 mm	7.3 mm	16.0 mm