

# RLF0100A - PRELIMINARY

## <960MHz “Rooftop” Lowpass Filter

### Features

- Superior power handling and reliability.
- Provides rejection over 1.45-5.95GHz for use with USD/UMD.
- Directly solders to PCB

### Applications

- Wireless Infrastructure applications

### Description

With low IL, provides additional attenuations to assure compatibility with high-frequency bands.



Part Dimensions: 14 × 9 × 8 mm • 5 g (estimate)

### Electrical Specifications

Parameter	Frequency (MHz)	Typical at 25°C	Spec. at 25°C	Spec. over -40°C to +85°C
Nominal Impedance	-	50 ohms	-	-
Average Input Power	-	-	-	20 Watt max
Peak Input Power	-	-	-	200 Watt max

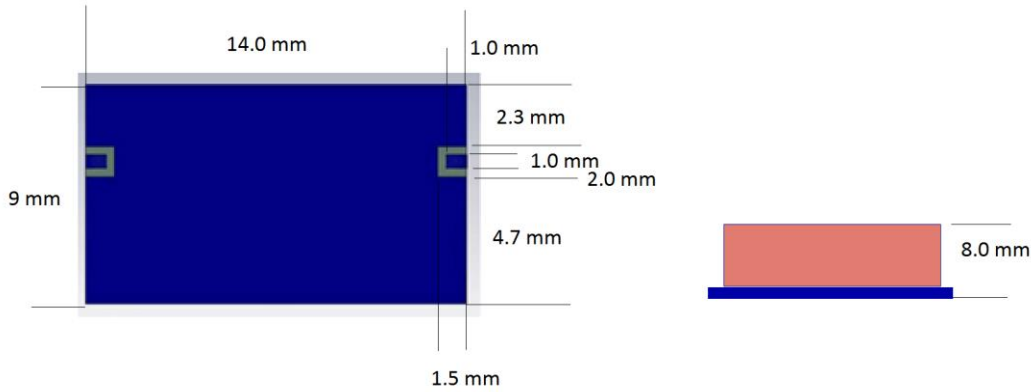
### Input-Output Response

Passband Insertion Loss	698 - 960	0.4 dB max
Passband Return Loss	698 - 960	16 dB min
Attenuation:	1450 - 1709	15 dB min
	1710 - 1785	38 dB min
	1786 - 5950	45 dB min

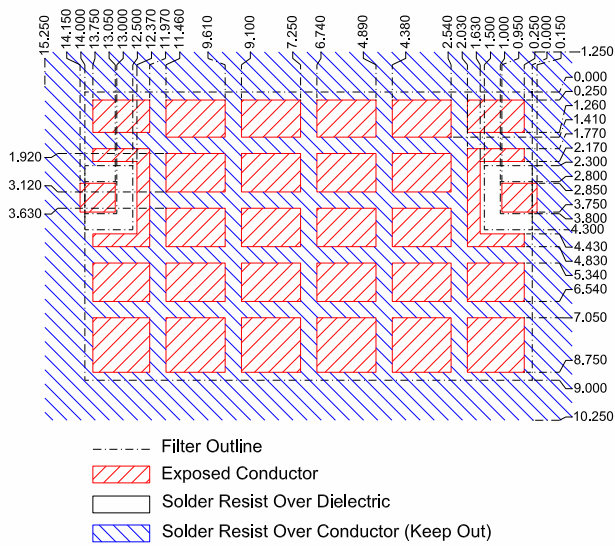
Note: CTS tests each unit to the critical specifications above. Subsequent audits may deviate due to repeatability among different test systems which shall not exceed these allowances.

Specification Allowance	
Insertion Loss	0.1 dB
Return Loss	1.0 dB
Attenuation	1.0 dB

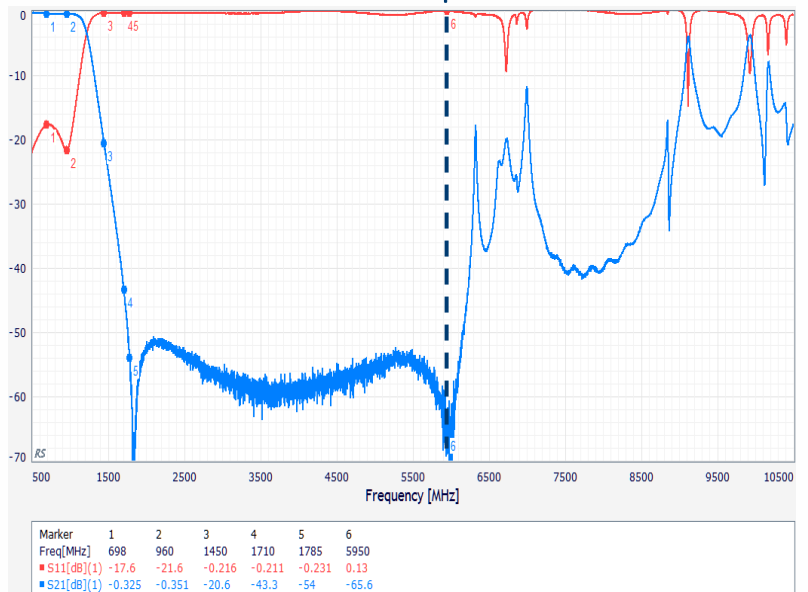
### Mechanical Drawing



### PCB Layout

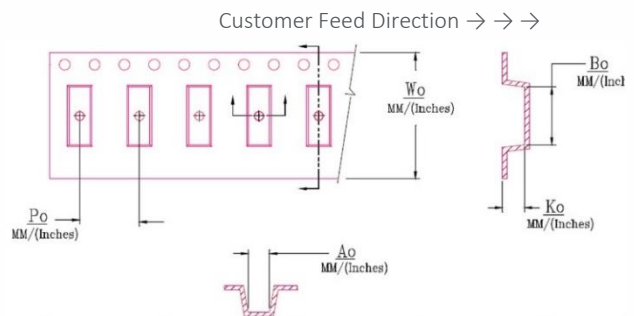


### Electrical Response



### Packaging and Marking

Dimension	Units	Spec.
Reel Diameter	mm	330
Reel Weight	kg	5.5
Reel Quantity	ea.	500



### Product Marking

CTS  
100  
YWW

$W_0$	$A_0$	$B_0$	$K_0$	$P_0$
0.945 in	0.370 in	0.567 in	0.287 in	0.630 in
24.0 mm	9.4 mm	14.4 mm	7.3 mm	16.0 mm