

RLF0188A - PRELIMINARY

<1.88GHz “Rooftop” Lowpass Filter

Features

- Superior power handling and reliability
- Provides rejection over 2.4-6.0GHz for use with CMB, CMD, USD, USB, and UMD.
- Directly solders to PCB

Applications

- Wireless Infrastructure applications

Description

With low IL, provides additional attenuations to assure compatibility with high-frequency bands.



Part Dimensions: 14.0 × 9.0 × 8.0 mm • 5 g

Electrical Specifications

Parameter	Frequency (MHz)	Typical at 25°C	Spec. at 25°C	Spec. over -40°C to +85°C
Nominal Impedance	-	50 ohms	-	-
Average Input Power	-	-	-	6 Watt max
Peak Input Power	-	-	-	60 Watt max

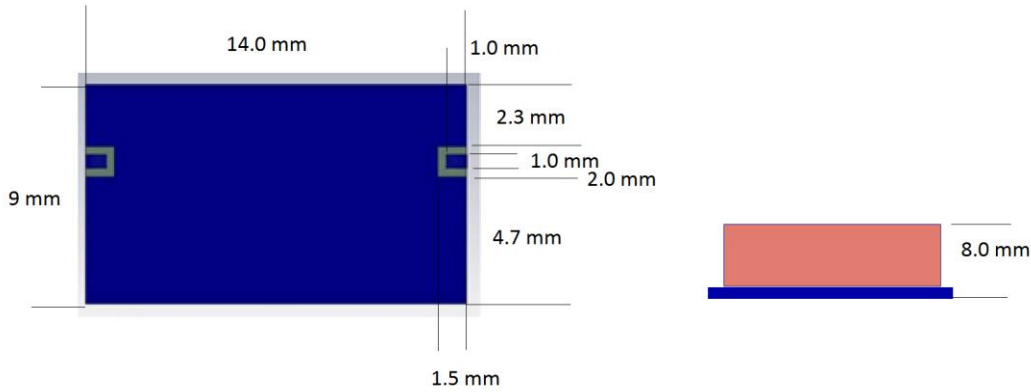
Input-Output Response

Passband Insertion Loss (10 MHz avg)	1700-1880	<0.45 dB
Passband Return Loss	1700-1880	16 dB min
Attenuation:	2425-2495	24 dB min
	2496-2999	35 dB min
	3000-5999	45 dB min
	6000-12,750	10 dB min

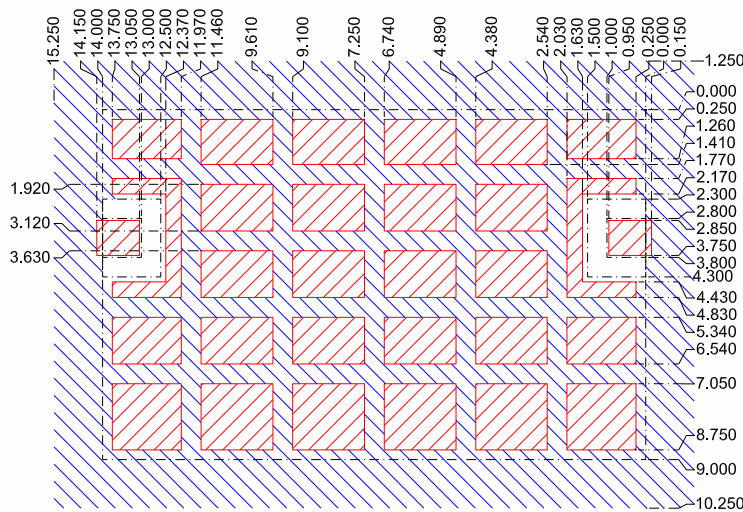
Note: CTS tests each unit to the critical specifications above. Subsequent audits may deviate due to repeatability among different test systems which shall not exceed these allowances.

Specification Allowance	
Insertion Loss	0.1 dB
Return Loss	1.0 dB
Attenuation	1.0 dB

Mechanical Drawing

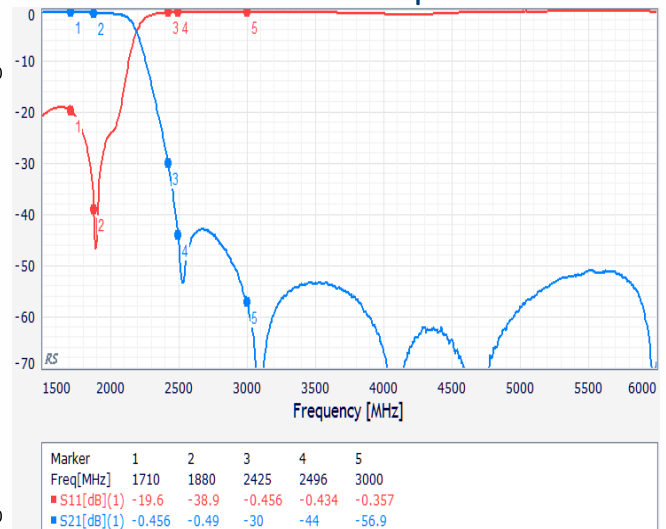


PCB Layout



- Filter Outline
- Exposed Conductor
- Solder Resist Over Dielectric
- Solder Resist Over Conductor (Keep Out)

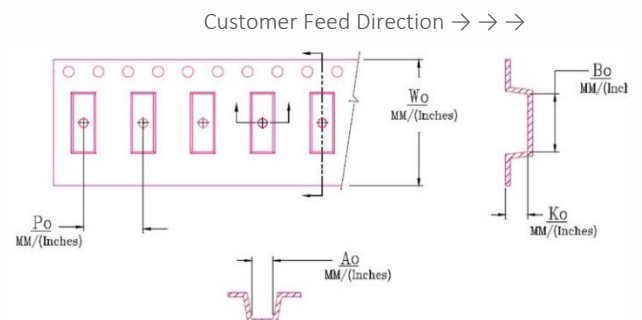
Electrical Response



Packaging and Marking

Dimension	Units	Spec.
Reel Diameter	mm	330
Reel Weight	kg	5.5
Reel Quantity	ea.	500

Product Marking



W_o	A_o	B_o	K_o	P_o
0.945 in	0.370 in	0.567 in	0.287 in	0.630 in
24.0 mm	9.4 mm	14.4 mm	7.3 mm	16.0 mm