

RLF0380A - PRELIMINARY

<3.8GHz “Rooftop” Lowpass Filter

Features

- Superior power handling and reliability
- Provides rejection over 5.15-7.6GHz for use with USB/USD/MMB/CMB/CMD.
- Directly solders to PCB

Applications

- Wireless Infrastructure applications



Part Dimensions: 14 × 9 × 8 mm • 5 g (estimate)

Description

With low IL, provides additional attenuations to assure compatibility with high-frequency bands.

Electrical Specifications

Parameter	Frequency (MHz)	Typical at 25°C	Spec. at 25°C	Spec. over -40°C to +85°C
Nominal Impedance	-	50 ohms	-	-
Average Input Power	-	-	-	20 Watt max
Peak Input Power	-	-	-	200 Watt max

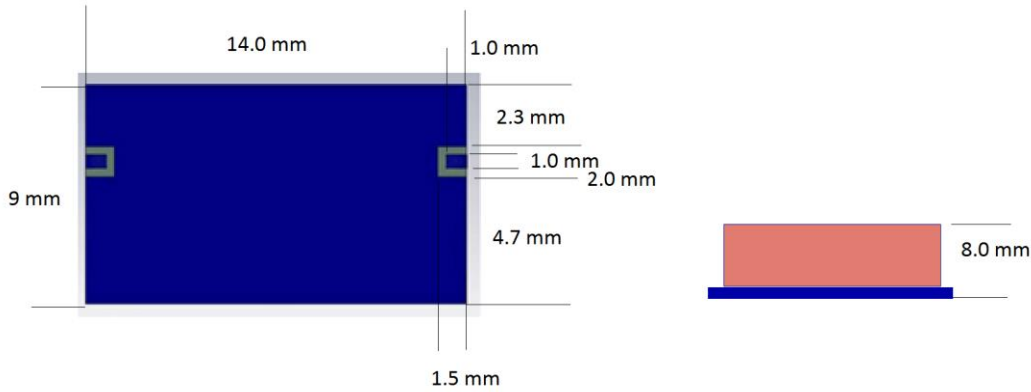
Input-Output Response

Passband Insertion Loss	2700-3800	Preliminary Estimates	< 0.4 dB max
Passband Return Loss	2700-3800		16 dB min
Attenuation:	5150-7600		45 dB min
	7600-12750		10 dB min

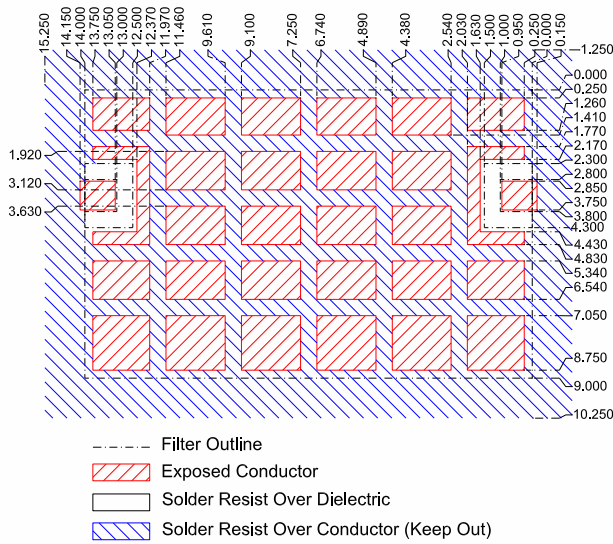
Note: CTS tests each unit to the critical specifications above. Subsequent audits may deviate due to repeatability among different test systems which shall not exceed these allowances.

Specification Allowance	
Insertion Loss	0.1 dB
Return Loss	1.0 dB
Attenuation	1.0 dB

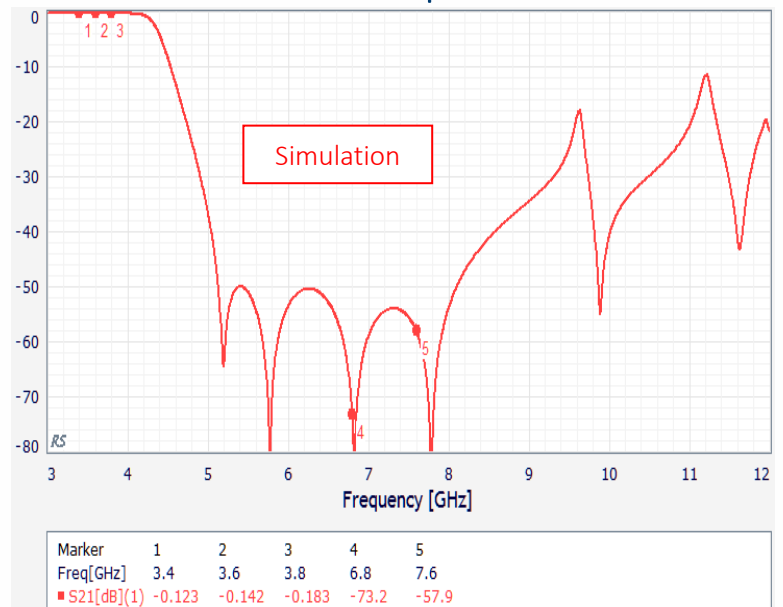
Mechanical Drawing



PCB Layout



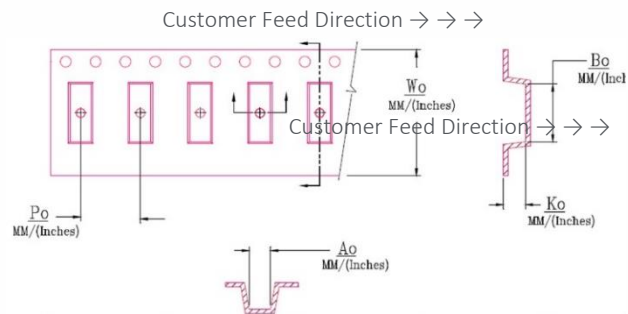
Electrical Response



Packaging and Marking

Dimension	Units	Spec.
Reel Diameter	mm	330
Reel Weight	kg	5.5
Reel Quantity	ea.	500

Product Marking



W_0	A_0	B_0	K_0	P_0
0.945 in	0.370 in	0.567 in	0.287 in	0.630 in
24.0 mm	9.4 mm	14.4 mm	7.3 mm	16.0 mm