

VFVX130

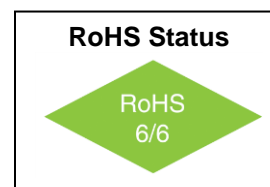
VCXO Low Jitter

9x14mm SMD, CMOS/TTL



Features

- 19 MHz to 200 MHz Frequency Range
- Ultra Low Jitter and Phase Noise



Applications

- Optical Networking, SONET / SDH
- 10 Gigabit Ethernet
- Broadband Access

Electrical Specifications

Parameter	Symbol	Condition	Min	Typ	Max	Unit	Note
Frequency Range	F		19		200	MHz	
Frequency Stability	$\Delta F/F$	Vs. Operating Temperature B: 0°C to +70°C C: -10°C to +60°C G: -40°C to +85°C		± 10 ± 12 ± 18	± 20 ± 20 ± 30	ppm	
		Vs. Supply Voltage Vs. Aging / Year		± 3 ± 1		ppm/V ppm	First Year
Operating Temperature Range	T		0° -10° -40°		+70° +60° +85°	°C	Order Code B Order Code C Order Code G
Output		Signal	CMOS / TTL				
Supply Voltage	V _{cc}		4.75 3.15	5.00 3.30	5.25 3.45	V	Order Code D Order Code E
Voltage Control	V _c		0 0		5 3.3	V	V _{cc} = 5.0V V _{cc} = 3.3V
Input Impedance		F _m < 10Khz	>50KΩ				
K _{vco}		@25°C		35		ppm/V	
APR		Overall	±35			ppm	Consult factory for wider APR
Deviation slope		Monotonic positive					
Linearity			-10		+10	%	
Modulation BW			>10KHz				3dB BW
Supply Current	I _{cc}	No Load			50	mA	@155MHz



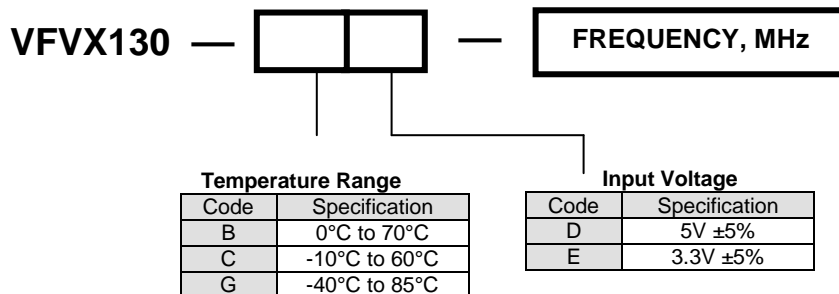
VFVX130
VCXO Low Jitter
9x14mm SMD, CMOS/TTL



Electrical Specifications

Parameter	Symbol	Condition	Min	Typ	Max	Unit	Note
Duty Cycle		@ 50%	45	50	55	%	
Rise / Fall Time	Tr/Tf	20% to 80%		3.0		ns	
Logic "1" Level	Voh			3.2 4.5		V	Vcc = 3.3V Vcc = 5.0V
Logic "0" Level	Vol			0		V	
Start up time				2	10	ms	
Phase Jitter		1 σ		0.2	0.5	ps	
SSB Phase Noise		100Hz 1KHz 10KHz 100KHz		-105 -130 -150 -160		dBc/Hz	@ 100MHz
Subharmonics				-50	-40	dBc	
Enable / Disable Function	Logic High (> 2.0 V) or Floating: Output is Active Logic Low (< .5 V): Output = High Z						
Enable / Disable Time	Te/Td				100	ns	

How to Order



VFVX130

VCXO Low Jitter

9x14mm SMD, CMOS/TTL



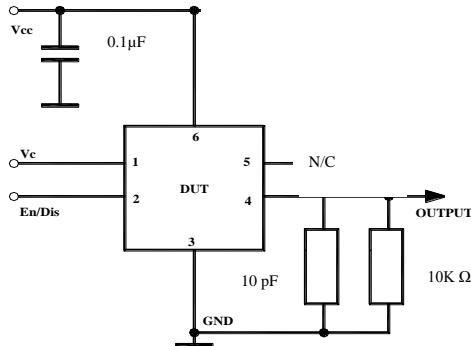
Absolute Maximum Ratings

Parameter	Symbol	Condition	Min	Typ	Max	Unit	Note
Supply Break Down Voltage	V _{cc}		-0.5		6.0	V	
Storage Temperature	T _s		-55		+85	°C	
Control Voltage	V _c		-1		7	V	

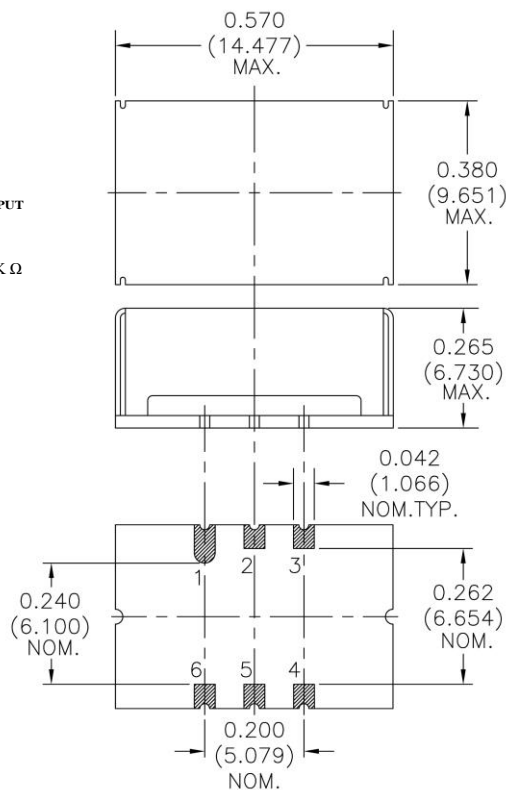
Environmental and Mechanical

Parameter	Specification
Mechanical Shock	Per MIL-STD-202, Method 213, Condition E
Thermal Shock	Per MIL-STD-883, Method 1011, Condition A
Vibration	Per MIL-STD-883, Method 2007, Condition A
Soldering Conditions	260°C for 10s max
Hermetic Seal	Leak rate less than 5x10 ⁻⁸ atm.cc/s of helium (crystal only)

Package Drawing



Pin #	Connection
1	V _c
2	Enable
3	Case, GND
4	Output
5	N/C
6	V _{cc}



Pad Layout

