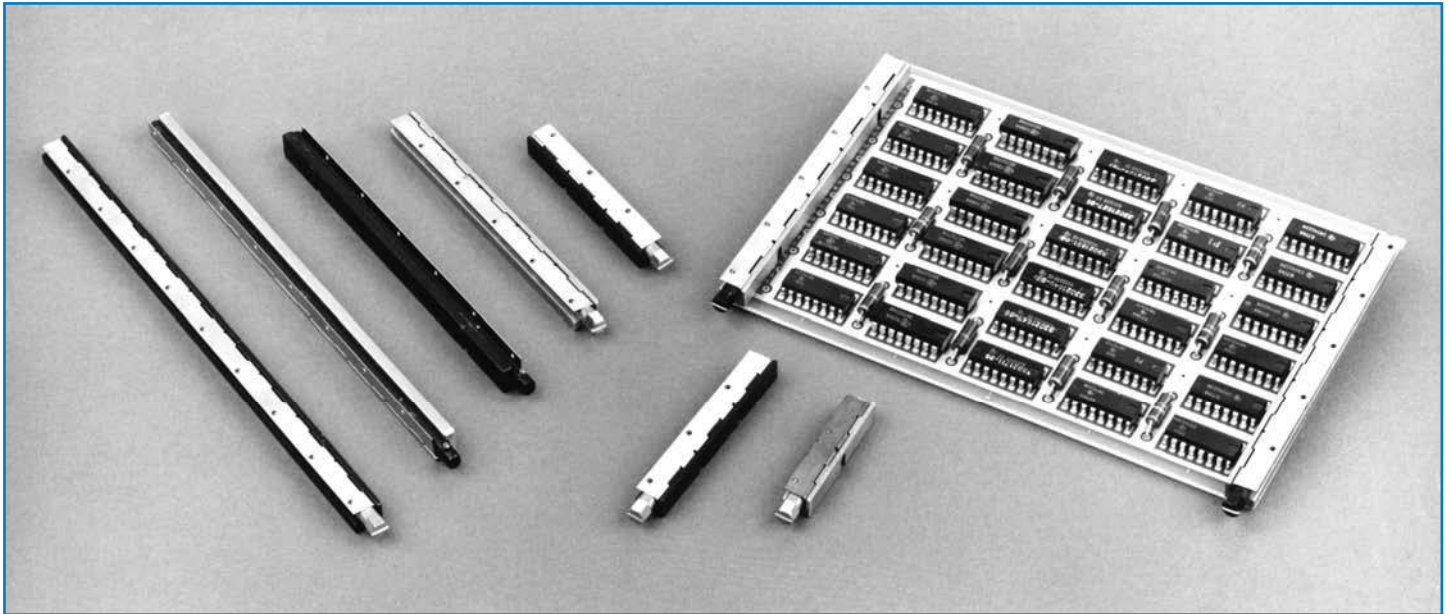


ZIF III CIRCUIT BOARD RETAINERS

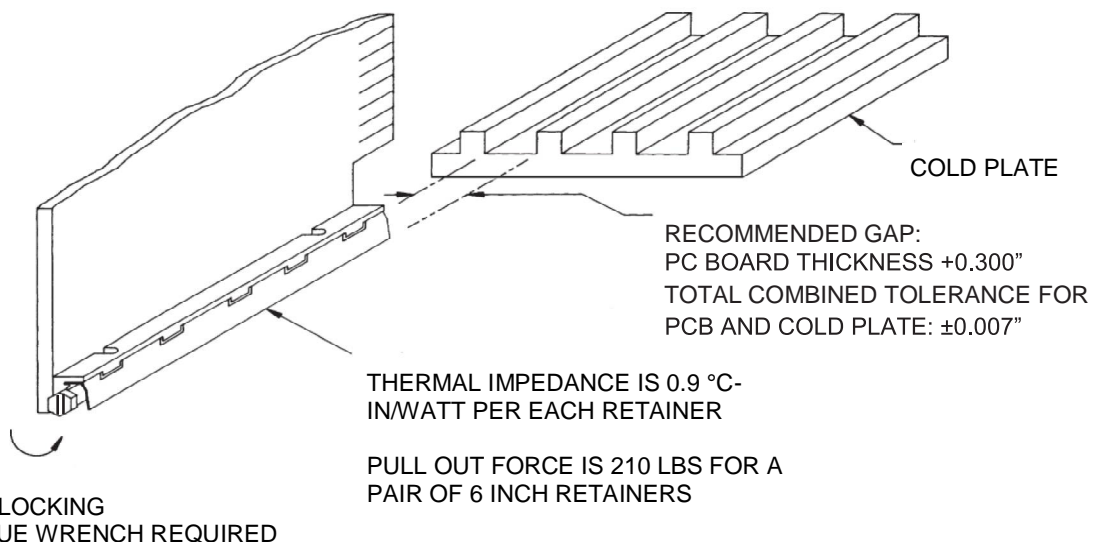


GENERAL DESCRIPTION

ZIF III retainers are the latest in the state-of-the-art PC board mountable retainers. Unlike other designs on the market, CTS's ZIF III features a quick, quarter-turn locking mechanism that provides for a positive and fast assembly. Its unique locking design produces a uniform pressure distribution along the PCB edge for the absolute best heat transfer and resistance to extreme shock and vibration. It will not warp your circuit boards unlike some others available in the market. If you have high density PC board mounting applications for military, space, medical, industrial controls, computers and communications, you need ZIF III Circuit Board Retainers.

DESIGN FEATURES

- PC BOARD MOUNTABLE
- POSITIVE 1/4 TURN LOCKING
- FIELD MAINTAINABLE
- QUICK AND EASY INSTALLATION
- SUPERIOR MECHANICAL RETENTION
- THERMALLY EFFICIENT, 0.9°C-INCH/WATT



ORDERING INFORMATION - ZIF III

Z 3 A 3 7 S B - 3 - B N L

ZIF III DESIGNATION

TOP ASSEMBLY OPTION

A=Assembled B=Kit

LENGTH OF HOUSING ASSEMBLY

- 15=1.50 Inch
- 22=2.25 Inch
- 30=3.00 Inch
- 37=3.75 Inch
- 45=4.50 Inch
- 52=5.25 Inch
- 60=6.00 Inch
- 67=6.75 Inch
- 75=7.50 Inch

Consult factory for custom or longer lengths.

MOUNTING TYPE

- S=Screw Mounting (2-56)
- B=No Holes
- I=2-56 Helical Insert (Locking)
- M=Screw Mounting (M3x.05)

HOUSING FINISH

- B=Black Anodize
- U=Unplated
- R=Chemical Film

- R=Right Hand Part
- L=Left Hand Part

SPRING FINISH

- U=Unplated
- B=Black Cadmium
- N=Nickel

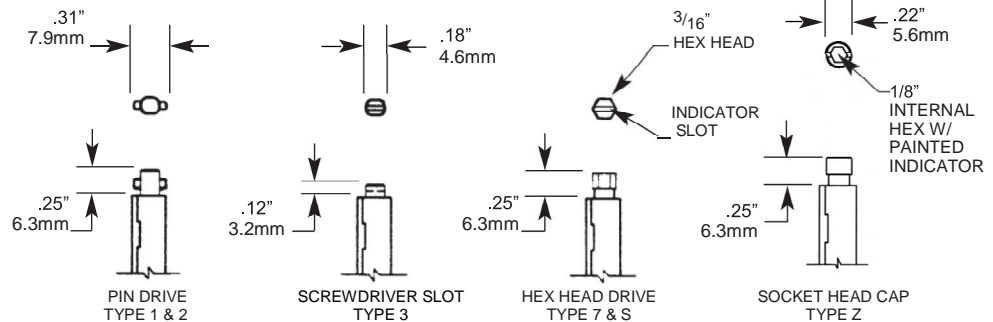
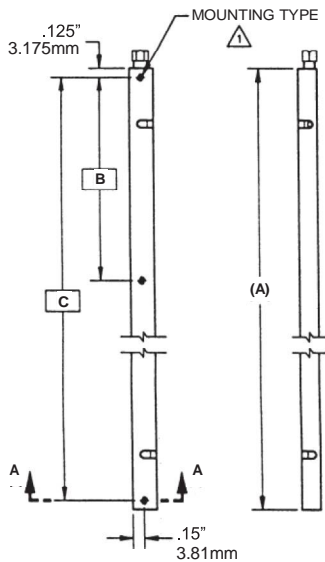
SPRING MATERIAL

- B=Be Cu

ROD TYPE

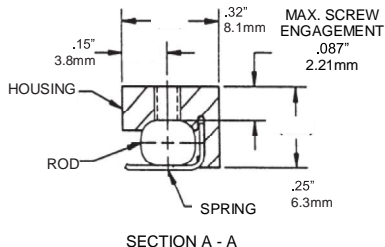
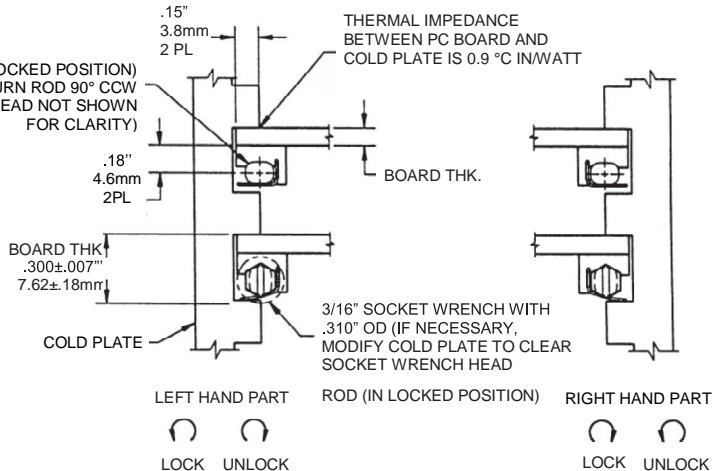
- 1=Pin Drive, Aluminum Rod 4.5" Max.
- 2=Pin Drive, Stainless Steel
- 3=Slot Drive, Stainless Steel 3.75" Max.
- 7=3/16 Hex Drive, Stainless Steel
- S=Type 7 With Painted Indicator
- Z=1/8" Socket Head Cap, Stainless Steel Rod w/ Painted Indicator

SPECIFICATIONS



ROD STYLES

ROD (IN UNLOCKED POSITION) TO LOCK TURN ROD 90° CCW (ROD HEX HEAD NOT SHOWN FOR CLARITY)



TOTAL WEIGHT PER ASSEMBLY:
ALUMINUM ROD 3.42 GRAM/IN.
STAINLESS STEEL 5.23 GRAM/IN

All dimensions are in inches unless otherwise noted.

	BSC	BSC
A _{DIM}	B _{DIM}	C _{DIM}
1.500" 38.10mm	—	1.250" 31.75mm
2.250" 57.15mm	—	2.000" 50.80mm
3.000" 76.20mm	—	2.750" 69.85mm
3.750" 95.25mm	—	3.500" 88.90mm
4.500" 114.30mm	—	4.250" 107.95mm
5.250" 133.35mm	—	5.000" 127.00mm
6.000" 152.40mm	2.875" 7.03mm	5.750" 146.05mm
6.750" 171.45mm	3.250" 82.55mm	6.500" 165.10mm
7.500" 190.50mm	3.625" 92.08mm	7.250" 184.15mm

Dimensions are for reference use only. Contact CTS for dimensions with tolerances or standard part drawings.